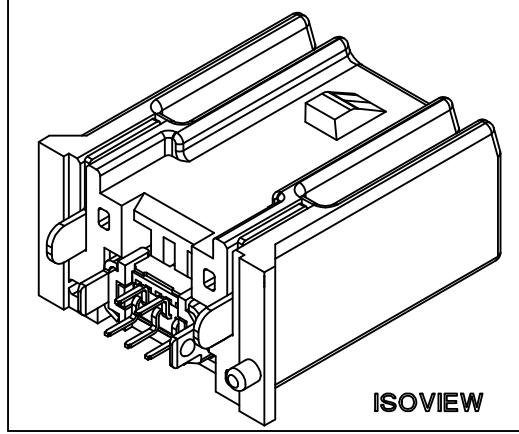
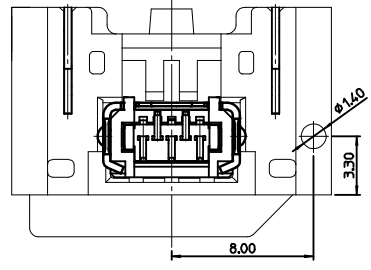
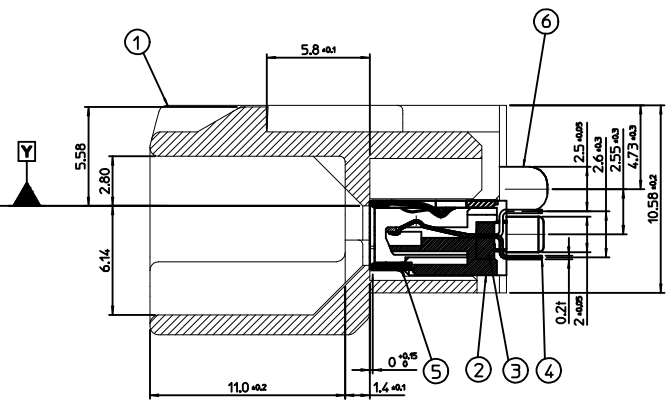
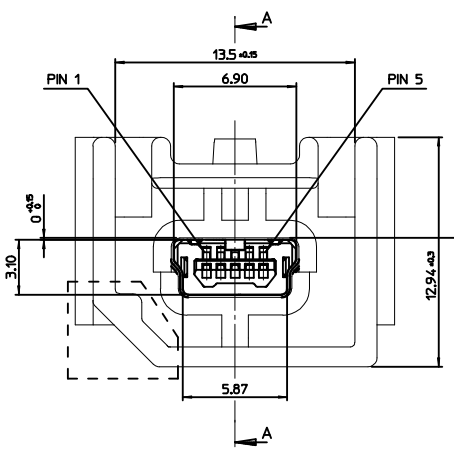


RECOMMENDED PCB LAYOUT



- NOTE**
- MATES WITH :
(MOLEX SERIES NO. - 111014, 111015, 111005, 111041, 111019, 111020)
 - SHROUD GEOMETRY AND ASSEMBLY WITH USB MINI-B CONNECTOR ARE ACCORDING TO USCAR STD 999-U-USB-Z01
 - FINISHES
- TERMINAL :
CONTACT AREA : Au 0.75µm MIN.
SOLDER TAIL AREA : TIN 3.8µm MIN.
UNDER PLATING : NI 1.0µm MIN.
- SHIELD CASE :
3.0µm MIN. TIN OVER NI 1.0µm MIN.
- FITTING NAIL :
3.0µm MIN. TIN OVER NI 1.0µm MIN.
 - UNLESS OTHERWISE SPECIFIED, TYPICAL RECOMMENDED PCB MANUFACTURING TOLERANCE IS ±0.05
 - PACKAGING IS TRAY :
(48 PCS/TRAY, 5 TRAY/TRAY BOX, 240 PCS/TRAY BOX, 960 PCS/CARTON BOX)
 - PACKAGING IS TUBE :
(29 PCS/TUBE, 60 TUBE/BOX, 1740 PCS/CARTON BOX)
 - PACKING IS EMBOSS:
SEE SHEET 2 OF 2 OF THIS PRINT.
 - PRODUCT SPECIFICATION : PS-49616-001
 - PCB THICKNESS : 1.6mm(REFERENCE)

<TABLE 1>

MATERIAL NO.	ORDER NO.	COLOR	PACKING	PACKING INFO.
1040040501	104004-0501	BLACK	TRAY	PK-104004-001
1040040701	104004-0701	BLACK	TUBE	PK-104004-002
1040040503	104004-0503	BLACK	EMBOSS	PK-104004-005

<PARTS LIST>

NO.	PART NAME	MATERIAL
1	SHROUD-A	LCP, GLASS FILLED, UL94 V-0
2	RECEPTACLE HOUSING	LCP, GLASS FILLED, UL94 V-0
3	CONTACT HOUSING	LCP, GLASS FILLED, UL94 V-0
4	CONTACT TERMINAL	COPPER ALLOY
5	SHIELD CASE	PHOSPHOR BRONZE
6	BOARD LOCKS PIN	BRASS

REVISED
EC NO: KTR2015-0098
DRAWN: IBAEK 2015/04/27
CHKD: JYCHOI
APPR: JYCHOI 2015/05/04
A4

QUALITY SYMBOLS
▽=0
▽=0

GENERAL TOLERANCES (UNLESS SPECIFIED)
mm INCH
4 PLACES ± --- ± ---
3 PLACES ± --- ± ---
2 PLACES ± 0.15 ± ---
1 PLACE ± 0.25 ± ---
ANGULAR ± 1°

DRAFT WHERE APPLICABLE
MUST REMAIN
WITHIN DIMENSIONS

DIMENSION STYLE: MM ONLY
SCALE: 5:1
DESIGN UNITS: METRIC
THIRD ANGLE PROJECTION

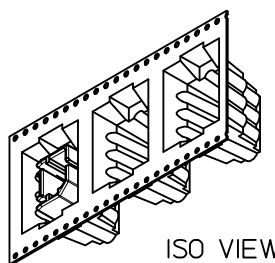
DRAWN BY: S.M.KIM DATE: 2009/06/17
CHECKED BY: B.C.YOON DATE: 2009/06/17
APPROVED BY: E.H.JUNG DATE: 2009/06/17

MATERIAL NO. SEE TABLE 1
DOCUMENT NO. SD-104004-001
SHEET NO. 1 OF 2

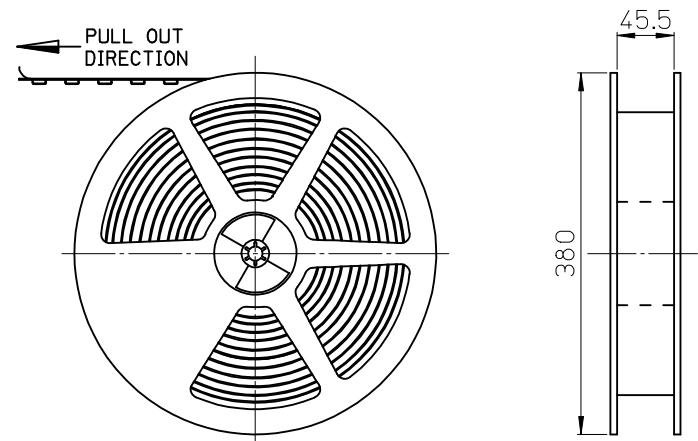
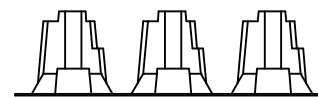
USCAR USB MINI B CONN VERTICAL A
MOLEX MOLEX INCORPORATED

THIS DRAWING CONTAINS INFORMATION THAT IS PROPRIETARY TO MOLEX INCORPORATED AND SHOULD NOT BE USED WITHOUT WRITTEN PERMISSION

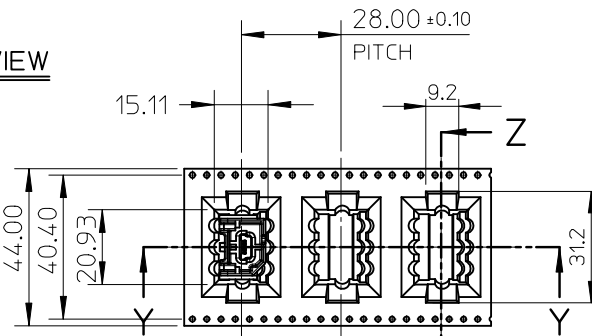
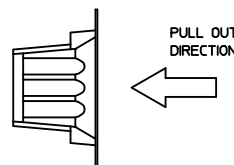
7 6 5 4 3 2 1



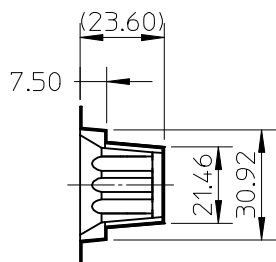
ISO VIEW



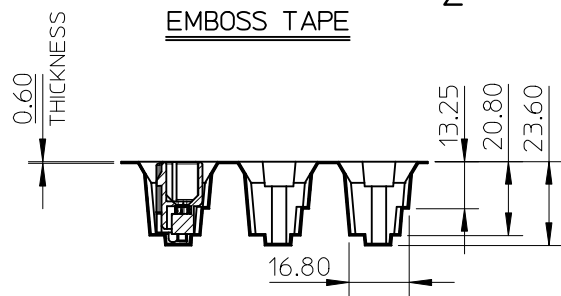
PLASTIC BOBBIN



EMBOSS TAPE



SECTION Z-Z



SECTION Y-Y

NOTES

- QUANTITY OF CONNECTORS: 120EA/REEL
- MATERIAL
 - PLASTIC BOBBIN : PS
 - CARRIER TAPE : P.E.T ANTI-STATIC
- LEAD LENGTH
- PEELING OFF FORCE OF COVER TAPE : 0.1N~0.59N(10.2GF~60GF)
 (PEELING DIRECTION AS SHOW IN FOLLOW FIG.)
 PEELING OFF SPEED : 300mm/Min.(Ref.)

5. FLASH IN ANY PORTION SHOULD BE LESS THAN 0.20mm MAX.

ADDED OPTION EC NO: KTR2015-0121 DRWN: JMK IM02 2015/06/19 CHKD: APPR: JYCHO1 2015/06/22	DESCRIPTION REV	QUALITY SYMBOLS	GENERAL TOLERANCES (UNLESS SPECIFIED)		DIMENSION STYLE MM ONLY		SCALE 1:2	DESIGN UNITS METRIC	THIRD ANGLE PROJECTION		
		$\nabla_F = 0$	4 PLACES	± ---	± ---	DRAWN BY YIBAOK	DATE 2015/04/18	TITLE USCAR USB MINI B CONN VERTICAL A			
		$\nabla_F = 0$	3 PLACES	± ---	± ---	CHECKED BY BCYOON	DATE 2015/06/19				
		$\nabla_F = 0$	2 PLACES	± 0.15	± ---	APPROVED BY JYCHO1	DATE 2015/04/27	molex DOCUMENT NO. SD-104004-001 SHEET NO. 2 OF 2			
			1 PLACE	± 0.25	± ---	MATERIAL NO. SEE TABLE					
	0 PLACE	± ---	± ---	ANGULAR ± 1 °		DRAFT WHERE APPLICABLE MUST REMAIN WITHIN DIMENSIONS		THIS DRAWING CONTAINS INFORMATION THAT IS PROPRIETARY TO MOLEX INCORPORATED AND SHOULD NOT BE USED WITHOUT WRITTEN PERMISSION			

6 5 4 3 2 1