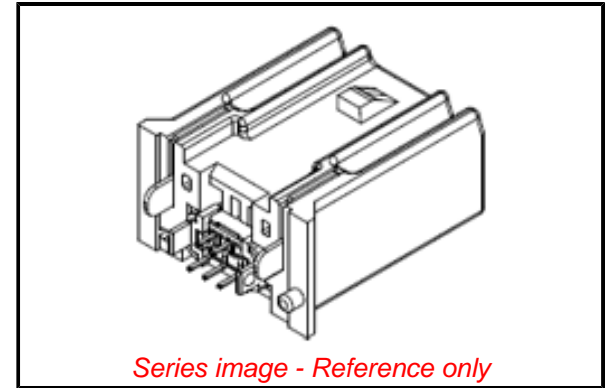


PLEASE CHECK WWW.MOLEX.COM FOR LATEST PART INFORMATION

Part Number: [1040040501](#)
Status: **Active**
Overview: [HSAutoLink Interconnect Systems](#)
Description: 0.80mm Pitch USCAR Mini B Vertical Header, Through Hole, 5 Circuit, Type A

Documents:

3D Model	Packaging Specification PK-104004-001-001 (PDF)
Drawing (PDF)	Packaging Specification PK-104004-004-001 (PDF)
3D Model (PDF)	RoHS Certificate of Compliance (PDF)
Product Specification PS-49616-001-001 (PDF)	



General

Product Family	PCB Headers
Series	104004
Application	Automotive, Signal, Wire-to-Board
Comments	Higher current rating achievable, please contact PM for additional technical information.
Overview	HSAutoLink Interconnect Systems
Product Name	HSAutoLink
Taxonomy	PCB Headers and Receptacles
UPC	883906580117

Physical

Breakaway	No
Circuits (Loaded)	5
Circuits (maximum)	5
Color - Resin	Black
Durability (mating cycles max)	25
First Mate / Last Break	No
Glow-Wire Capable	No
Guide to Mating Part	No
Keying to Mating Part	None
Lock to Mating Part	Yes
Material - Metal	Copper Alloy
Material - Plating Mating	Gold
Material - Plating Termination	Tin
Material - Resin	High Temperature Thermoplastic
Net Weight	3.458/g
Number of Rows	1
Orientation	Vertical
PCB Locator	Yes
PCB Retention	Yes
PCB Thickness - Recommended	1.60mm
Packaging Type	Tray
Pitch - Mating Interface	0.80mm
Pitch - Termination Interface	0.80mm
Plating min - Mating	0.762µm
Plating min - Termination	3.810µm
Polarized to Mating Part	Yes
Polarized to PCB	Yes
Shrouded	No
Stackable	No
Temperature Range - Operating	-40° to +85°C
Termination Interface: Style	Through Hole

Electrical

Current - Maximum per Contact	1.0A
-------------------------------	------

EU ELV

Compliant

EU RoHS

Compliant

REACH SVHC

Not Contained Per -
D(2022)4187-DC (10
June 2022)

Halogen-Free

Status

Low-Halogen

For more information, please visit [Contact US](#)

China ROHS

ELV

RoHS Phthalates

China RoHS

Green Image

Compliant

Not Contained

Search Parts in this Series

[104004](#) Series

Mates With

HS AutoLink Cable Assembly [111014](#)
, [111015](#) , [111005](#) , [111041](#) , [111019](#) ,
[111020](#)

Voltage - Maximum

5V (RMS)

Material Info

Reference - Drawing Numbers

Packaging Specification

PK-104004-001-001, PK-104004-004-001

Product Specification

PS-49616-001-001

Sales Drawing

SD-104004-001-001, SD-104004-001-002

This document was generated on 09/12/2022

PLEASE CHECK WWW.MOLEX.COM FOR LATEST PART INFORMATION