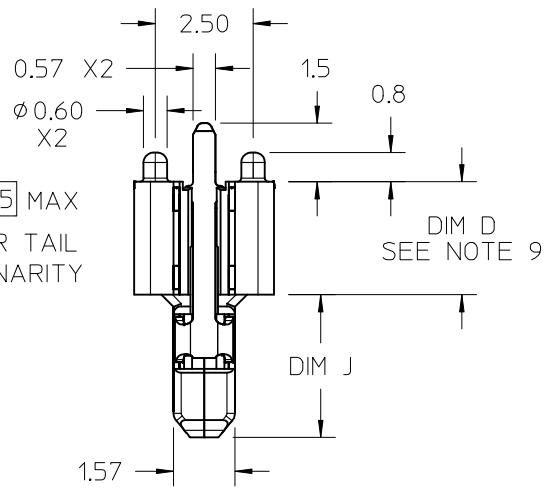
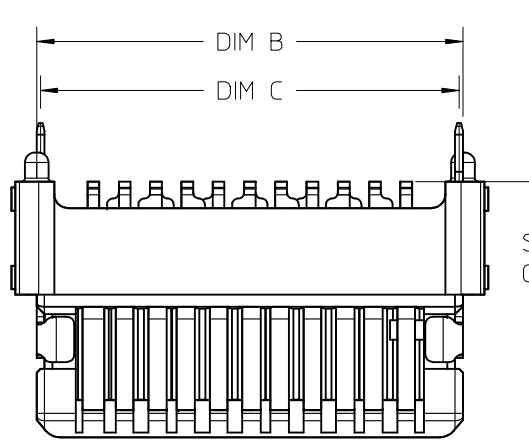
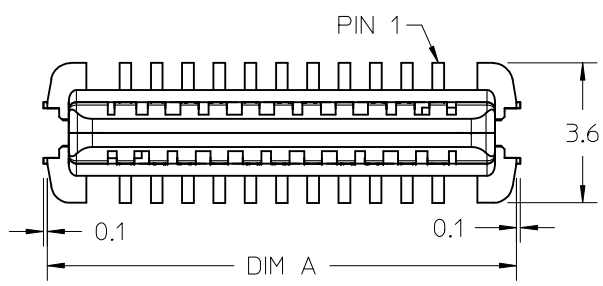
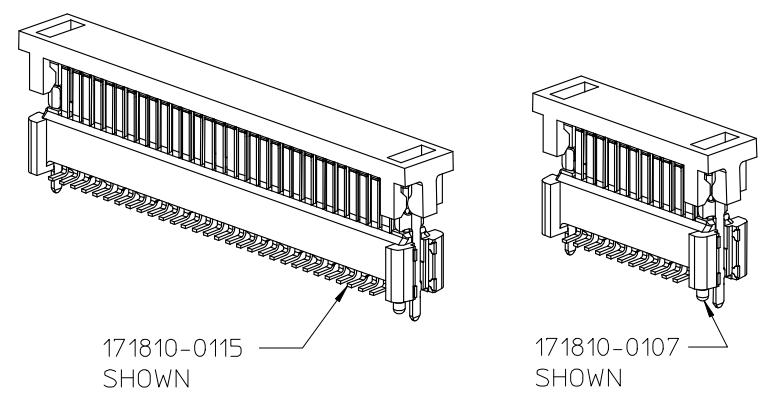


10 9 8 7 6 5 4 3 2 1



PARTS SHOWN WITH PICK-&-PLACE COVERS



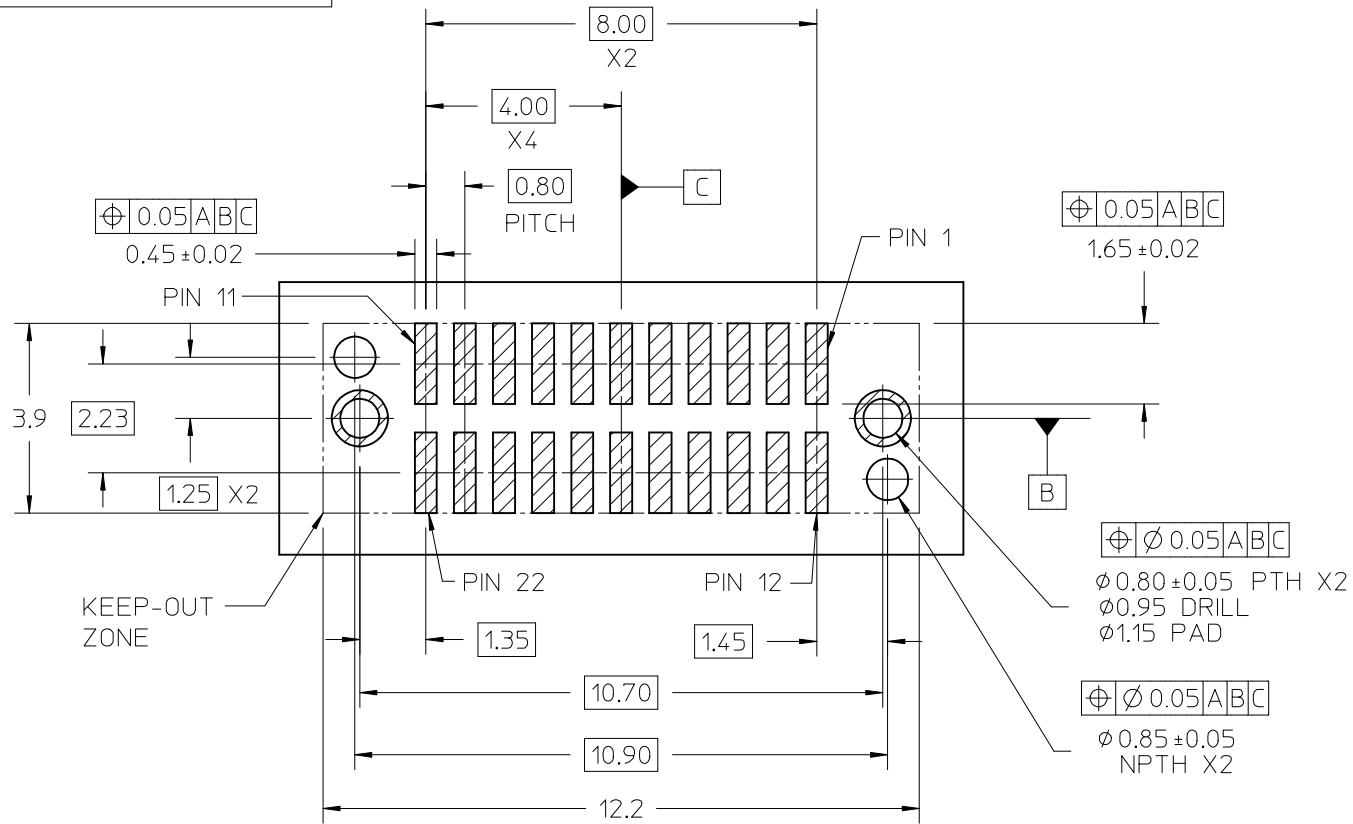
PART NUMBER	CKT SIZE	DIM A	DIM B	DIM C	DIM D	DIM J	
171810-0101	22	12.0	10.90	10.70	0.90	2.6	
171810-0102					1.90		
171810-0103					2.90		
171810-0104					3.90		
171810-0105					0.90		3.6
171810-0106					1.90		
171810-0107					2.90		
171810-0108					3.90		
171810-0109					0.90		2.6
171810-0110					1.90		
171810-0111	2.90						
171810-0112	3.90						
171810-0113	60	27.2	26.10	25.90	0.90	3.6	
171810-0114					1.90		
171810-0115					2.90		
171810-0116					3.90		

- NOTES:
- MATERIALS: HOUSING: LCP, UL94V-0, BLACK
CONTACTS: HIGH PERFORMANCE COPPER ALLOY
 - FINISH: 0.76 μm MIN SELECT GOLD IN CONTACT AREA
SELECT MATTE TIN IN TAIL AREA, OVERALL NICKEL
 - PRODUCT SPECIFICATION: PS-171446-0001
 - PACKAGING SPECIFICATION: TAPE AND REEL
PER PK-70873-6003
 - MATES WITH SPEEDSTACK RECEPTACLE: 171450
 - APPLICATION SPECIFICATION: AS-171450-9998
 - COSMETIC SPECIFICATION: PS-45499-002 CLASS B
 - PART STATUS: CONTACT MOLEX
 - DIM D ON THIS DRAWING PLUS DIM D ON DRAWING # SD-171450-0000 EQUALS THE SYSTEM MATED STACK HEIGHT
 - PARTS TO BE SHIPPED WITH PICK & PLACE COVERS.

INITIAL RELEASE EC NO: UCP2015-2948 DRAWN: JB INGHAM 2015/01/29 CHKD: DMCGOWAN 2015/01/29 APPR: DMCGOWAN 2015/02/17	QUALITY SYMBOLS ▽=0 ▽=0 ▽=0	GENERAL TOLERANCES (UNLESS SPECIFIED)		DIMENSION STYLE MM ONLY		SCALE 8:1	DESIGN UNITS METRIC	THIRD ANGLE PROJECTION		
		mm INCH		DRAWN BY JB INGHAM	DATE 2014/12/22	TITLE SPEEDSTACK SINGLE-ENDED PLUG SALES ASSEMBLY				
		4 PLACES ± --- ± --- 3 PLACES ± --- ± --- 2 PLACES ± 0.13 ± --- 1 PLACE ± 0.25 ± --- 0 PLACE ± --- ± ---		CHECKED BY DMCGOWAN	DATE 2014/12/22					
		ANGULAR ± 1/2° DRAFT WHERE APPLICABLE MUST REMAIN WITHIN DIMENSIONS		MATERIAL NO. SEE CHART		APPROVED BY DMCGOWAN	DATE 2015/02/17	DOCUMENT NO. SD-171810-0000		
THIS DRAWING CONTAINS INFORMATION THAT IS PROPRIETARY TO MOLEX INCORPORATED AND SHOULD NOT BE USED WITHOUT WRITTEN PERMISSION										

9 8 7 6 5 4 3 2 1

PCB LAYOUT – 22 CKT



PCB LAYOUT (COMPONENT SIDE)

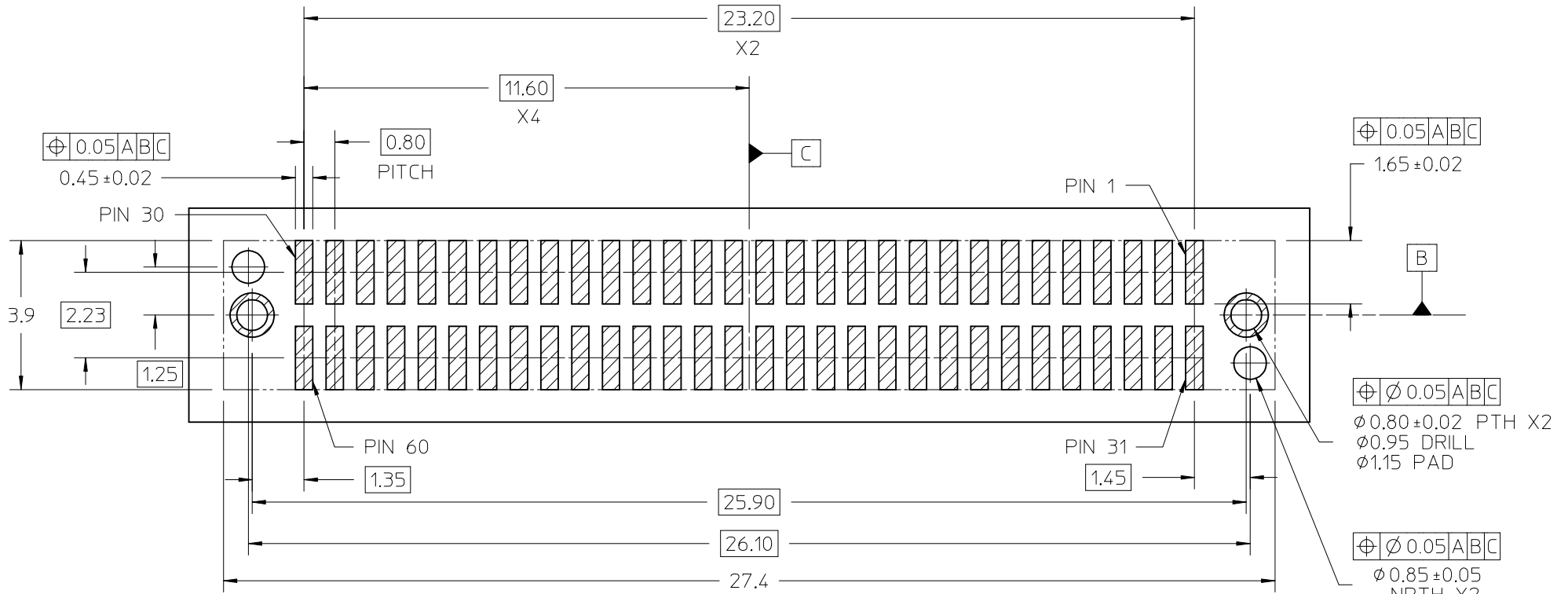
SOLDER PASTE THICKNESS: 0.15 MIN

DATUM [A] IS THE BOTTOM SURFACE OF THE PCB

NOTE:
PIN NUMBERING IS FOR REFERENCE ONLY.
OTHER PIN NUMBERS WILL NOT AFFECT THE
OPERATION OF THE CONNECTOR.

SEE SHEET 1	EC NO: UCP2015-2948	2015/01/29	QUALITY SYMBOLS	GENERAL TOLERANCES (UNLESS SPECIFIED)		DIMENSION STYLE		SCALE	DESIGN UNITS	THIRD ANGLE PROJECTION	
	DRAWN: JB INGHAM	2015/01/29		mm	INCH	MM ONLY	10:1	METRIC	SPEEDSTACK SINGLE-ENDED PLUG SALES ASSEMBLY		
	CHKD: DMCGOWAN	2015/01/29		4 PLACES	± ---	± ---	DRAWN BY	DATE			
	APPR: DMCGOWAN	2015/02/17		3 PLACES	± ---	± ---	JB INGHAM	2014/12/22			
			2 PLACES	± 0.13	± ---	CHECKED BY	DATE				
			1 PLACE	± 0.25	± ---	DMCGOWAN	2014/12/22				
			0 PLACE	± ---	± ---	APPROVED BY	DATE				
						DMCGOWAN	2015/02/17				
						MATERIAL NO.		DOCUMENT NO.			SHEET NO.
						SEE CHART		SD-171810-0000			2 OF 3
						SIZE B	THIS DRAWING CONTAINS INFORMATION THAT IS PROPRIETARY TO MOLEX INCORPORATED AND SHOULD NOT BE USED WITHOUT WRITTEN PERMISSION				

PCB LAYOUT - 60 CKT



PCB LAYOUT (COMPONENT SIDE)

SOLDER PASTE THICKNESS: 0.15 MIN

DATUM **A** IS THE BOTTOM SURFACE OF THE PCB

NOTE:
PIN NUMBERING IS FOR REFERENCE ONLY.
OTHER PIN NUMBERS WILL NOT AFFECT THE
OPERATION OF THE CONNECTOR.

SEE SHEET 1	EC NO: UCP2015-2948	QUALITY SYMBOLS	GENERAL TOLERANCES (UNLESS SPECIFIED)		DIMENSION STYLE		SCALE	DESIGN UNITS	THIRD ANGLE PROJECTION		
	DRWN: JBINGHAM 2015/01/29	▽=0	mm	INCH	MM ONLY		10:1	METRIC	⊙		
	CHKD: DMCGOWAN 2015/01/29	▽=0	4 PLACES ± ---	± ---	DRAWN BY	DATE	TITLE	SPEEDSTACK SINGLE-ENDED PLUG SALES ASSEMBLY			
	APPR: DMCGOWAN 2015/02/17	▽=0	3 PLACES ± ---	± ---	JBINGHAM	2014/12/22					
			2 PLACES ± 0.13	± ---	CHECKED BY	DATE	molex				
			1 PLACE ± 0.25	± ---	DMCGOWAN	2014/12/22					
			0 PLACE ± ---	± ---	APPROVED BY	DATE	SD-171810-0000				
					DMCGOWAN	2015/02/17					
			ANGULAR ± 1/2°		MATERIAL NO.	DOCUMENT NO.		SHEET NO.			
			DRAFT WHERE APPLICABLE MUST REMAIN WITHIN DIMENSIONS		SEE CHART	SD-171810-0000		3 OF 3			
			THIS DRAWING CONTAINS INFORMATION THAT IS PROPRIETARY TO MOLEX INCORPORATED AND SHOULD NOT BE USED WITHOUT WRITTEN PERMISSION								