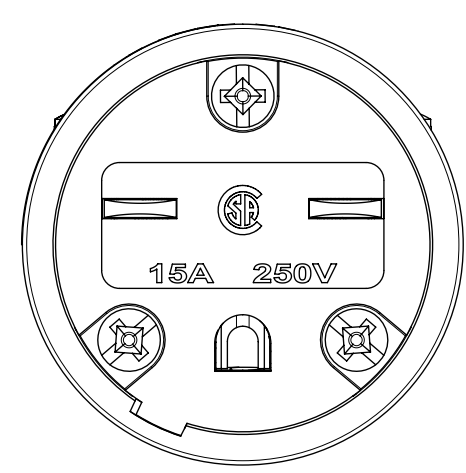
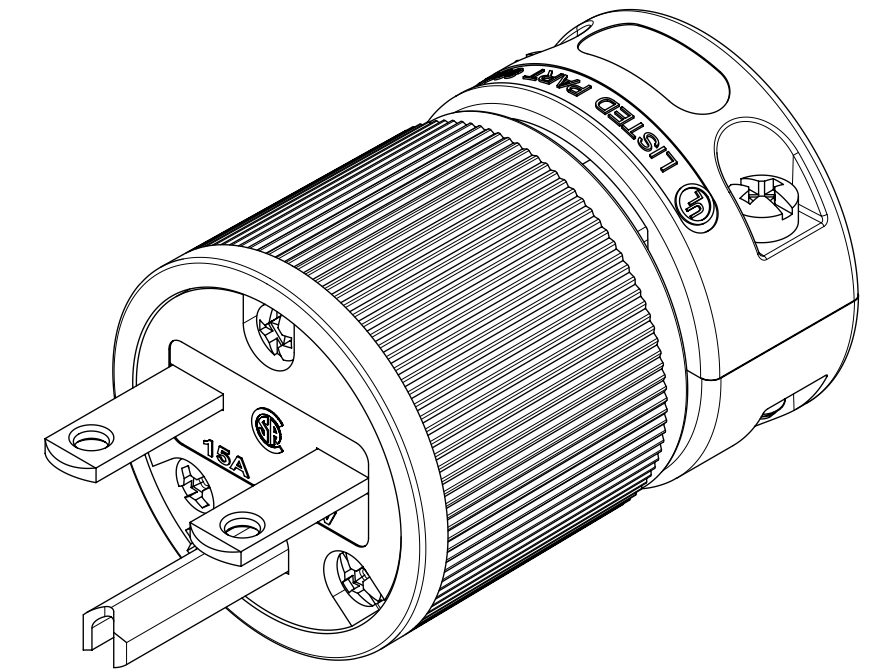
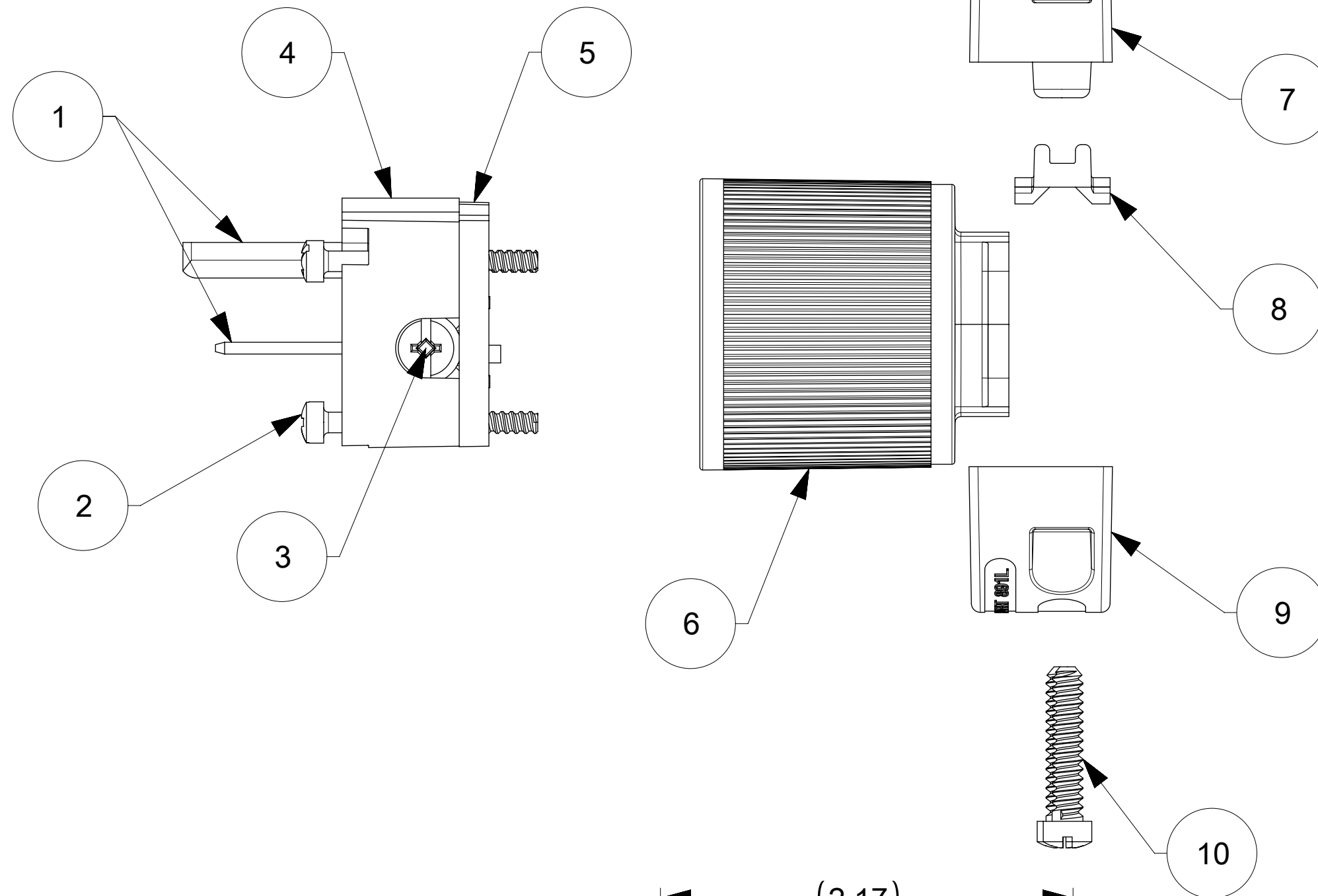
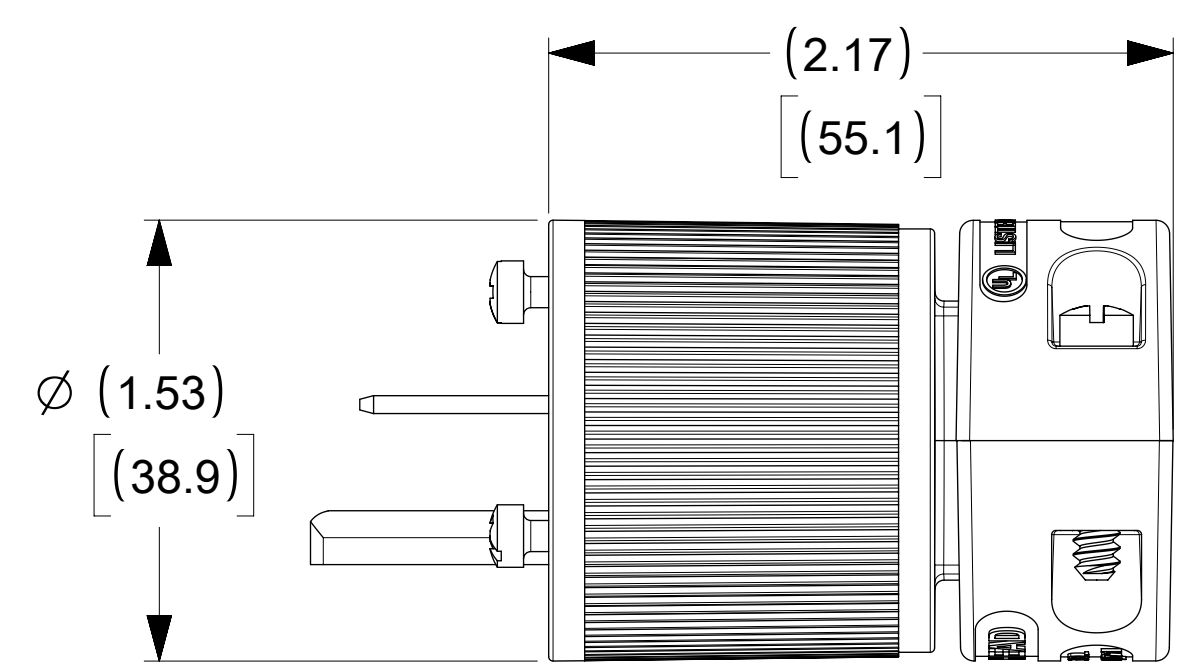


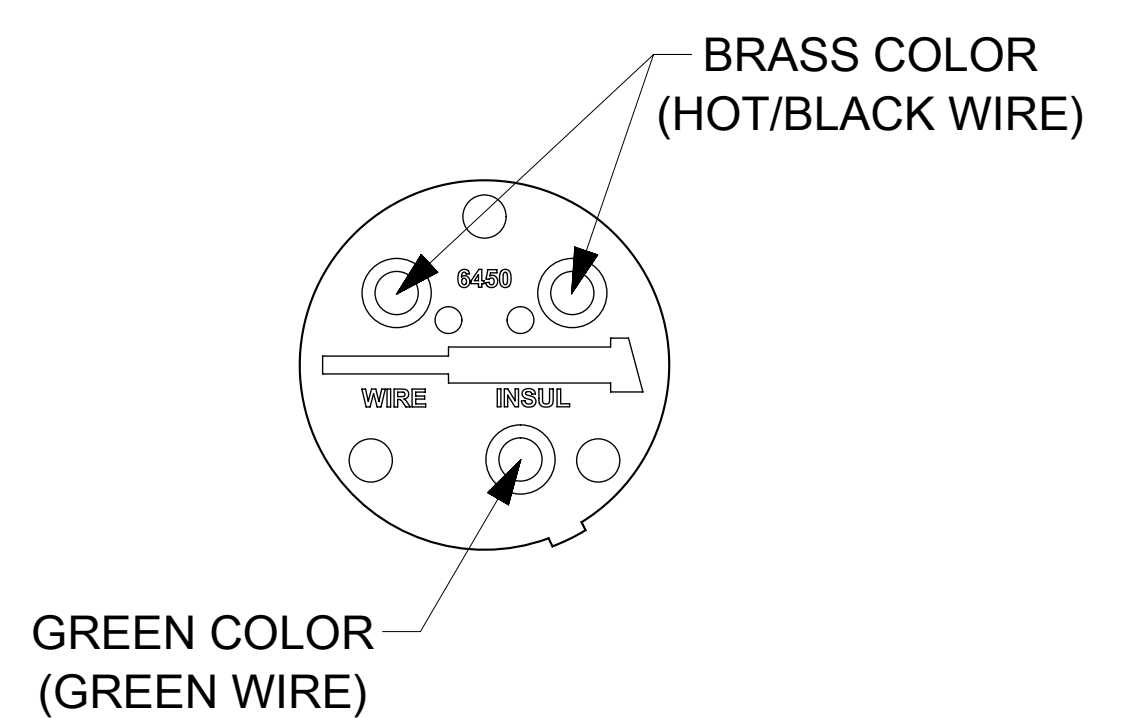
ORDER NO.	WOODHEAD NO.	COLOR	GRADE
130144-0065	5666	BLACK	STANDARD




FACE VIEW



WIRING TERMINATION



ITEM NO.	DESCRIPTIONS	MATERIAL	QTY.
1	BLADES	BRASS	3
2	RETAINING SCREWS	STAINLESS STEEL	3
3	TERMINAL SCREWS/CLAMP ASSEMBLY	BRASS, ZINC PLATED	3
4	INSERT	NYLON	1
5	TERMINAL COVER	POLYCARBONATE	1
6	HOUSING	NYLON	1
7	CLAMP CORD MALE	NYLON	1
8	CLAMP CORD INSERT	NYLON	1
9	CLAMP CORD FEMALE	NYLON	1
10	RETAINING SCREWS	STEEL, ZINC PLATED	2

THIS DRAWING CONTAINS INFORMATION THAT IS PROPRIETARY TO MOLEX ELECTRONIC TECHNOLOGIES, LLC AND SHOULD NOT BE USED WITHOUT WRITTEN PERMISSION			
DIMENSION UNITS: INCH[MM] SCALE: NTS		CURRENT REV DESC: NEW RELEASE	
GENERAL TOLERANCES (UNLESS SPECIFIED)		EC NO: 613441	
4 PLACES ±	MM INCH	DRWN: VBASUTHKARP 2019/02/06	
3 PLACES ±	MM INCH	DRWN: DNGUYEN62 2019/10/30	
2 PLACES ±	MM INCH	APPR: HKNEELAND 2020/01/25	SAFEWAY PLUG 2P3W 6-15
1 PLACE ±	MM INCH	INITIAL REVISION:	PRODUCT CUSTOMER DRAWING
0 PLACES ±	MM INCH	DRWN: VBASUTHKARP 2019/02/06	DOCUMENT NUMBER: 1301440065
ANGULAR TOL ± °	°	APPR: HKNEELAND 2020/01/25	DOC TYPE: PSD
DRAFT WHERE APPLICABLE MUST REMAIN WITHIN DIMENSIONS	THIRD ANGLE PROJECTION	DRAWING SERIES: C-SIZE 130144	DOC PART: 000
		MATERIAL NUMBER: SEE TABLE	CUSTOMER: GENERAL MARKET
			SHEET NUMBER: 1 OF 1