

## FEATURES AND SPECIFICATIONS

### Features and Benefits

- Sizes 2 to 9 circuits

### Reference Information

Packaging: Bag  
 UL File No.: E29179  
 CSA File No.: LR19980  
 Mates With: 5197-N housing  
 Designed In: Millimeters

### Electrical

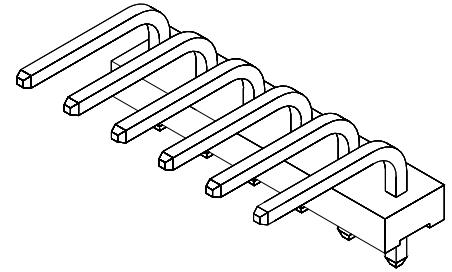
Voltage: 250V  
 Current: 7.0A  
 Contact Resistance: 10mΩ max.  
 Dielectric Withstanding Voltage: 1500V AC/1 min.  
 Insulation Resistance: 1000 MΩ min.

### Physical

Housing: 6/6 nylon, UL 94V-2  
 Contact: Brass, 1.14mm (.045") square  
 Plating: Tin  
 Operating Temperature: -40 to +105°C

**molex**® 5.08mm (.200") Pitch  
**SPOX™**  
**Header**

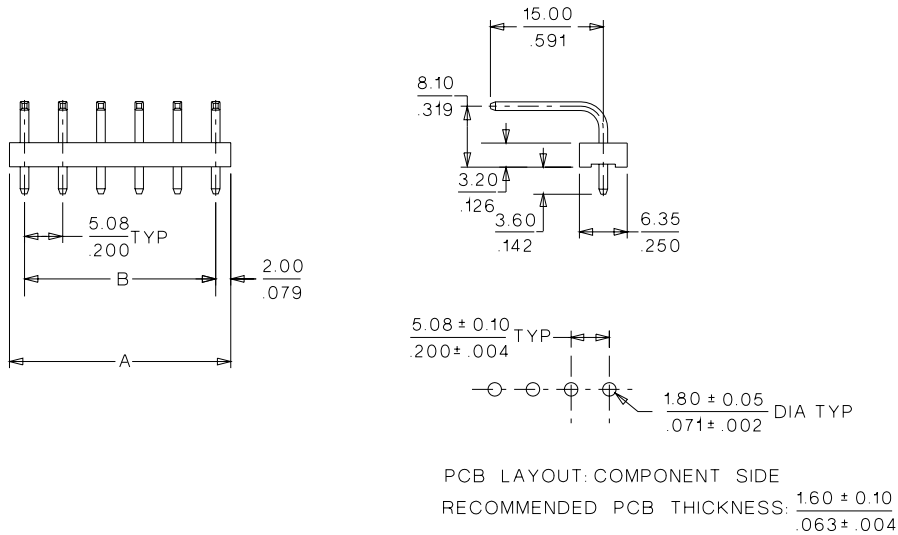
**5280-NA**  
**Right Angle**



**D**

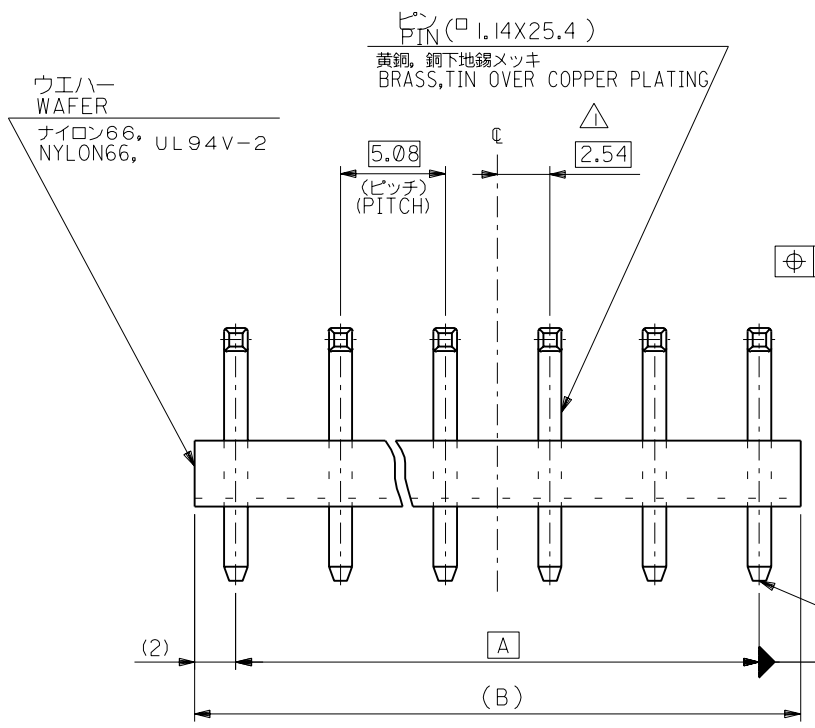
**3.00 to 7.92mm (.118 to .312") Pitch**

## CATALOG DRAWING (FOR REFERENCE ONLY)



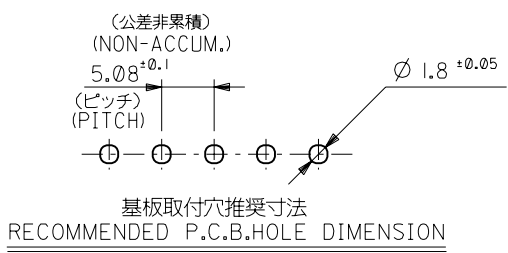
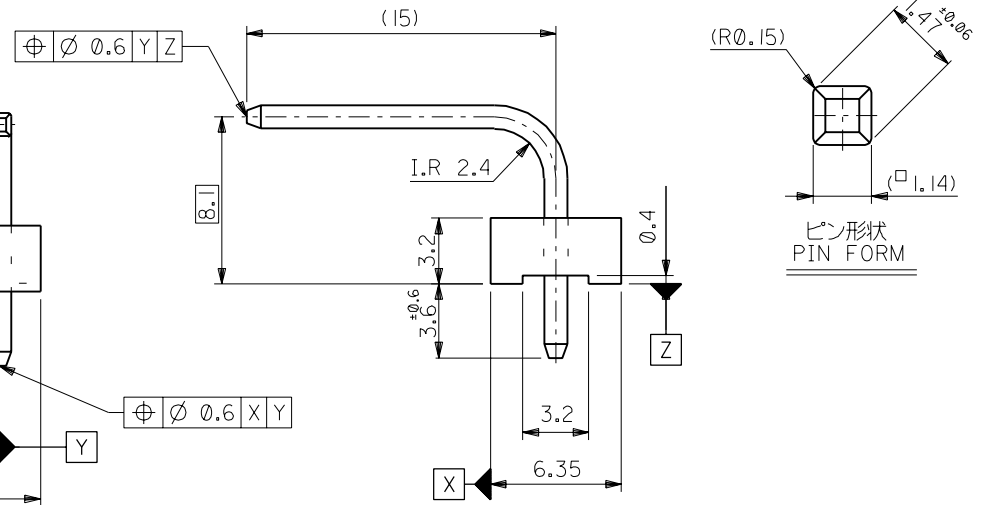
## ORDERING INFORMATION AND DIMENSIONS

Circuits	Order No.	Dimension	
		A	B
2	10-33-1021	9.08 (.357)	5.08 (.199)
3	10-33-1031	14.16 (.557)	10.16 (.399)
4	10-33-1041	19.24 (.757)	15.24 (.599)
5	10-33-1051	24.32 (.957)	20.32 (.799)
6	10-33-1061	29.40 (1.157)	25.40 (1.000)
7	10-33-1071	34.48 (1.357)	30.48 (1.199)
8	10-33-1081	39.56 (1.557)	35.56 (1.399)
9	10-33-1091	44.64 (1.757)	40.64 (1.599)



注記  
NOTE

- △ 全極数が偶数の場合のみ適用。  
TO BE APPLIED ONLY WHEN ALL CKTS. ARE EVEN.
- 2 ウエハーの反りは、長さ 25.4 に対して 0.2 最大。  
CAMBER MUST BE 0.2 MAX. PER 25.4.



59.88	55.88	10-33-1121	5280-12A	12
44.64	40.64	↑ -1091	↑ -09A	9
39.56	35.56	↑ -1081	↑ -08A	8
34.48	30.48	↑ -1071	↑ -07A	7
29.4	25.4	↑ -1061	↑ -06A	6
24.32	20.32	↑ -1051	↑ -05A	5
19.24	15.24	↑ -1041	↑ -04A	4
14.16	10.16	↓ -1031	↓ -03A	3
9.08	5.08	10-33-1021	5280-02A	2
B	A	EDP NO.	ENG. NO.	極数 CKT.

角度 ANGLE		±3°			材料 MATERIAL		☒ 中参照 SEE DRAWING		molex MOLEX-JAPAN CO., LTD. 日本モレックス株式会社	
30 以上 OVER		+0.3			仕上げ FINISH		—		REVISE ONLY ON CAD SYSTEM	
10 以上 OVER		+0.25			適用電線範囲 WIRE RANGE		—		TITLE 名称	
10 未満 UNDER		+0.2			被覆外径 INS. RANGE		—		KK 5.08 WAFER ASS'Y	
一般公差 GENERAL TOLERANCES		B	変更 & 再作 REVIS'D & REDRAWN	DR. M.S.	日付 DATE	DRAWN BY %/4/9 T.YASUI	CHK'D BY %/4/10 S.A. M.FUKUSHIMA	DWG. NO.		REV
記号 LTR		変更内容 REVISION RECORD	DR. M.S.	日付 DATE	APP'D BY %/4/10 M.FUKUSHIMA	尺度 SCALE		SD-5280-NA		B