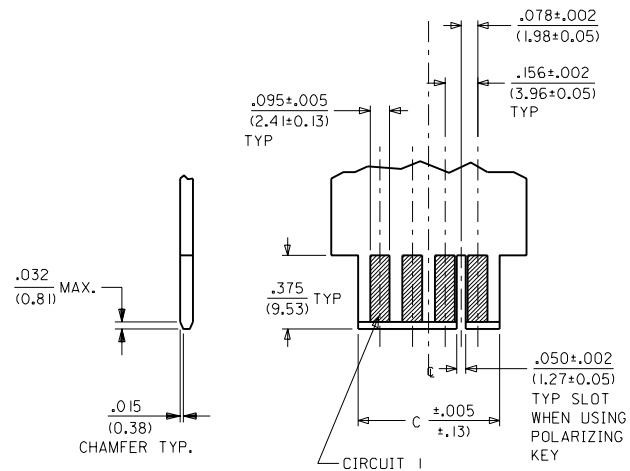
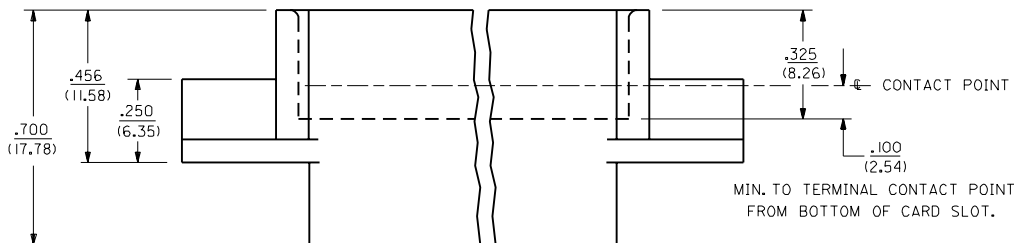
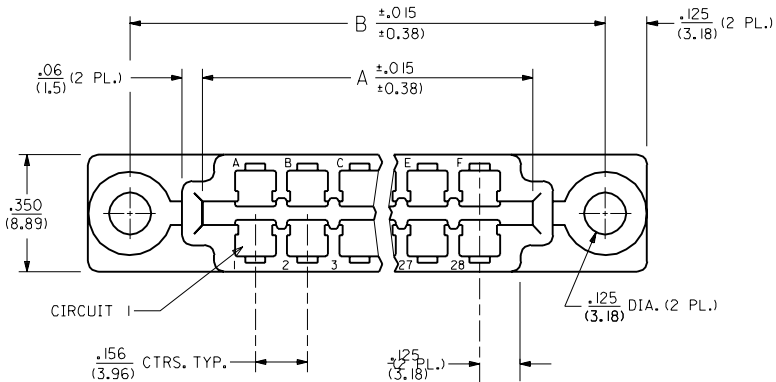


A	B	C	D	E	F	H	J	K	L	M	N	P	R	S	T	U	V	W	X	Y	Z	Ā	Ḃ	Ĉ	Ḍ	Ḙ	Ḟ
1	2	3	4	5	6	7	8	9	10	11	12	13	14	15	16	17	18	19	20	21	22	23	24	25	26	27	28

CIRCUIT IDENTIFICATION ON TOP SURFACE

CKTS	DIM. "A" (W/FLANGES)	DIM. "B" (W/FLANGES)	DIM C
6	$\frac{1.105}{(28.07)}$	$\frac{1.531}{(38.89)}$	$\frac{1.085}{(27.56)}$
8	$\frac{1.415}{(35.94)}$	$\frac{1.767}{(44.88)}$	$\frac{1.395}{(35.43)}$
10	$\frac{1.729}{(43.92)}$	$\frac{2.156}{(54.76)}$	$\frac{1.709}{(43.41)}$
12	$\frac{2.041}{(51.84)}$	$\frac{2.465}{(62.61)}$	$\frac{2.021}{(51.33)}$
15	$\frac{2.510}{(63.75)}$	$\frac{2.938}{(74.63)}$	$\frac{2.490}{(63.25)}$
18	$\frac{2.955}{(75.06)}$	$\frac{3.406}{(86.51)}$	$\frac{2.935}{(74.55)}$
22	$\frac{3.610}{(91.69)}$	$\frac{4.039}{(102.59)}$	$\frac{3.590}{(91.19)}$
24	$\frac{3.922}{(99.62)}$	$\frac{4.350}{(110.49)}$	$\frac{3.902}{(99.11)}$
25	$\frac{4.078}{(103.58)}$	$\frac{4.503}{(114.38)}$	$\frac{4.058}{(103.07)}$
28	$\frac{4.549}{(115.54)}$	$\frac{4.969}{(126.21)}$	$\frac{4.529}{(115.04)}$



RECOMMENDED PCB LAYOUT
PCB THICKNESS: .062(1.57)

NOTES

- 1) MATERIAL: 30% GLASS FILLED POLYESTER, U.L. 94V-0. COLOR: BLACK.
- 2) THIS HOUSING ACCEPTS THE FOLLOWING TERMINALS:
CRIMP TERMINAL NUMBER: 4366 AND 4573
SOLDER LUG TERMINAL NUMBER: 4574
- 3) THIS PRODUCT MEETS REQUIREMENTS OF PS 09-50.

LEGEND

4338-..
CIRCUIT SIZE
I=W.O./FLANGES
BLANK=W./FLANGES

ADD PCB LAYOUT UCR1999-0020		DIMENSIONS SHOWN METRIC (INCH) UNLESS OTHERWISE SPECIFIED TOLERANCES: ANGULAR 1°		▽ = 0 ▼ = 0 REVISE ONLY ON CAD SYSTEM	
B1	98-7-8 SAMIEC	INCH	METRIC	TITLE HOUSING, DOUBLE ROW CONNECTOR	
B	ADD CRT ID ECR U60062 7-18-95 SAMIEC	3 PLACE ± .010 ---	---	MOLEX INCORPORATED SHEET NO. DATE L15LJLL 60532 U.S.A. 1 OF 2 09/09/91	
A	REVISED AND REDRAWN PER ECR U1-1751 JTR 09-23-91	2 PLACE ± .014 ± 0.25	± 0.25	SEE CHART SD-4338	
REVISIONS		REVISIONS		PART NO. DRWG. NO.	
LTR. REVISIONS		LTR. REVISIONS		FILE NAME S4338X1.DWG	
LTR. REVISIONS		LTR. REVISIONS		THIS DRAWING CONTAINS INFORMATION THAT IS PROPRIETARY TO MOLEX INC. AND SHOULD NOT BE USED WITHOUT WRITTEN PERMISSION.	

