

**PLEASE CHECK WWW.MOLEX.COM FOR LATEST PART INFORMATION**

**Part Number:** [0006023103](#)  
**Status:** **Active**  
**Description:** Flat Blade Appliance Motor Switch Crimp Housing, 10 Circuit, 10 Circuits

**Documents:**

<a href="#">3D Model</a>	<a href="#">Drawing (PDF)</a>
<a href="#">3D Model (PDF)</a>	<a href="#">RoHS Certificate of Compliance (PDF)</a>

**Agency Certification**

CSA	LR19980
UL	E29179

**General**

Product Family	Crimp Housings
Series	6313
Application	Power, Wire-to-Board
Comments	Thumb Depress Latch
Product Name	Flat Blade
Taxonomy	Connector Housings
UPC	800753825963

**Physical**

Circuits (maximum)	10
Color - Resin	Natural
Flammability	94V-2
Gender	Receptacle
Glow-Wire Capable	No
Material - Resin	Nylon
Net Weight	7.107/g
Number of Rows	1
Packaging Type	Bag
Panel Mount	No
Pitch - Mating Interface	5.59mm
Stackable	No
Temperature Range - Operating	-40° to +75°C

**Solder Process Data**

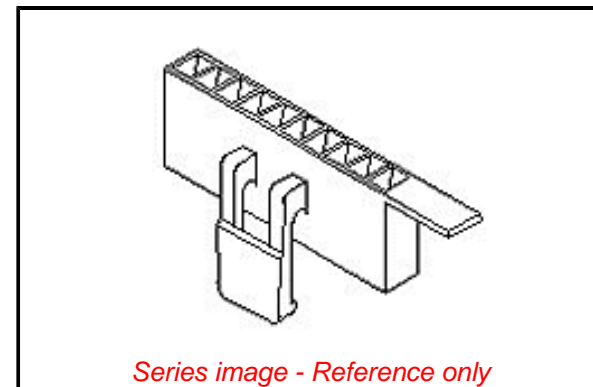
Lead-freeProcess Capability	N/A
-----------------------------	-----

**Material Info**

Engineering Number	6313-1-10
--------------------	-----------

**Reference - Drawing Numbers**

Sales Drawing	SD-6313-1-10-001
---------------	------------------



**EU ELV**

**Not Relevant**

**EU RoHS**

**Compliant**

**REACH SVHC**

Not Contained Per -  
D(2022)4187-DC (10  
June 2022)

**Halogen-Free**

**Status**

**Low-Halogen**

For more information, please visit [Contact US](#)

China ROHS

ELV

RoHS Phthalates

**China RoHS**

Green Image

Not Relevant

Not Contained

**Search Parts in this Series**

[6313 Series](#)

**Mates With**

[Appliance Motor](#)

**Use With**

[1508 Crimp Terminals](#), [43374](#)

**PLEASE CHECK WWW.MOLEX.COM FOR LATEST PART INFORMATION**