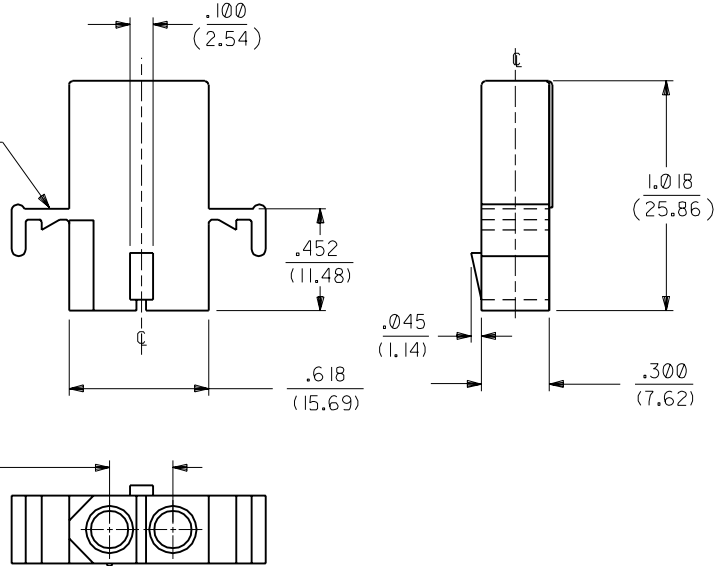


4306-R RECEPTACLE HOUSING

MOUNTING EAR (2 PL.)
SEE DETAIL 1 OR 2
(WHEN SPECIFIED)



DIMENSIONS SHOWN (METRIC) INCH

UNLESS OTHERWISE SPECIFIED
TOLERANCES: ANGULAR ± 1/2°

| | INCH | METRIC |
|---------|--------|--------|
| 3 PLACE | ± .010 | --- |
| 2 PLACE | ± .014 | ± 0.25 |
| 1 PLACE | --- | ± 0.35 |

DRAFT WHERE APPLICABLE MUST
REMAIN WITHIN DIMENSIONS

▽ = 0 ▼ = 0 REVISE ONLY ON CAD SYSTEM

TITLE
HOUSING, 2 CIRCUIT
PLUG AND RECEPTACLE
.125/(3.18) DIA.

PART NO. MOLEX INCORPORATED SHEET NO. DATE
LISLE, ILL. 60532 U.S.A. 2 6/4/87

SEE CHART DRWG. NO. SD-4306-*

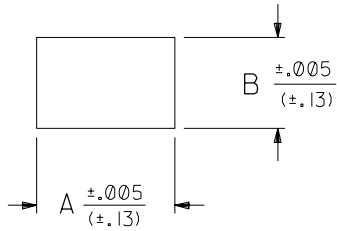
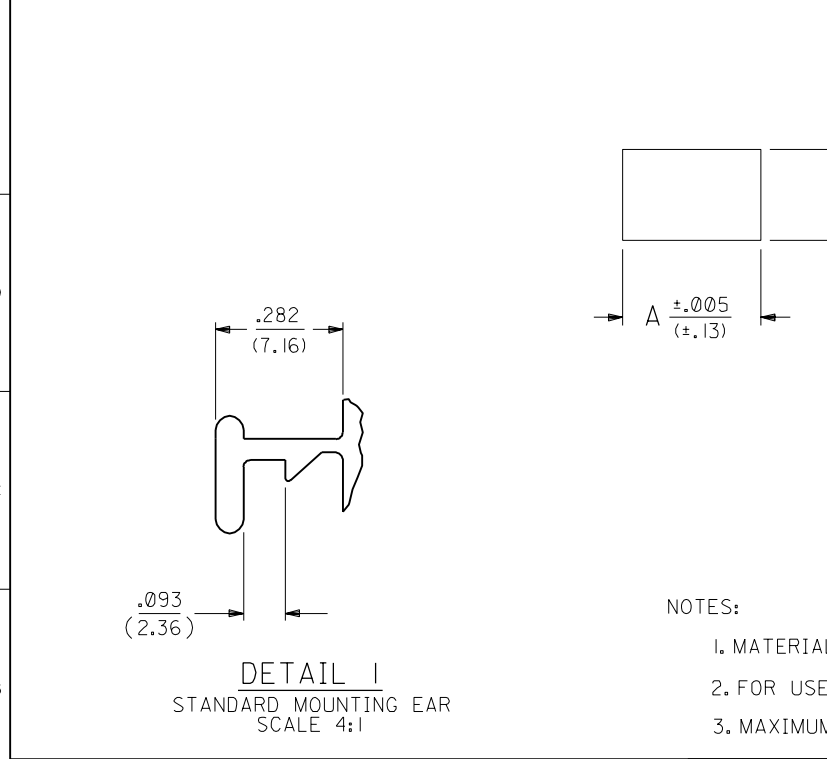
FILE NAME: SD4306X2.DWG THIS DRAWING CONTAINS INFORMATION THAT IS PROPRIETARY TO MOLEX INC. AND SHOULD NOT BE USED WITHOUT WRITTEN PERMISSION. DIV. CP SIZE B

| LTR. | REVISIONS | LTR. | REVISIONS |
|------|-----------|------|-------------|
| | | F | SEE SHEET 1 |
| | | E | SEE SHEET 1 |

DRWG. BY: GEP CHK'D. BY: RW
APP'D. BY: RAS SCALE: 2 : 1

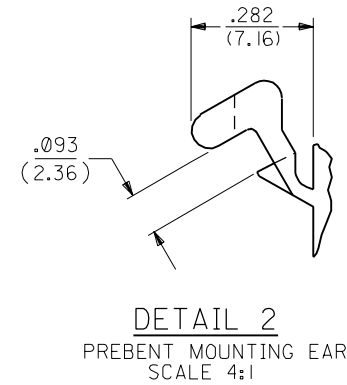
| | | | | | | | | | | |
|------------|----------|------------------------------------|---|---|---|---|---|---|---|------|
| 10 | 9 | 8 | 7 | 6 | 5 | 4 | 3 | 2 | 1 | 4306 |
| PLUG | | | | | | | | | | |
| PART NO. | ENG. NO. | DESCRIPTION | | | | | | | | |
| 03-12-2021 | 4306-P | PLUG WITH STANDARD EARS (DETAIL 1) | | | | | | | | |
| 03-12-2022 | 4306-P1 | PLUG W/O EARS | | | | | | | | |
| 03-12-2023 | 4306-PB | PLUG W/PREBENT EARS (DETAIL 2) | | | | | | | | |

| | | | | | | | | | | |
|------------|----------|--|---|---|---|---|---|---|---|------|
| 10 | 9 | 8 | 7 | 6 | 5 | 4 | 3 | 2 | 1 | 4306 |
| RECEPTACLE | | | | | | | | | | |
| PART NO. | ENG. NO. | DESCRIPTION | | | | | | | | |
| 03-12-1021 | 4306-R | RECEPTACLE WITH STANDARD EARS (DETAIL 1) | | | | | | | | |
| 03-12-1022 | 4306-R1 | RECEPTACLE W/O EARS | | | | | | | | |
| 03-12-1023 | 4306-RB | RECEPTACLE W/PREBENT EARS (DETAIL 2) | | | | | | | | |



| MOUNTING PANEL OPENING | | |
|------------------------|--------------|--------------|
| HOUSING | DIM. "A" | DIM. "B" |
| PLUG | .878/(22.30) | .432/(10.97) |
| RECEPTACLE | .778/(19.76) | .375/(9.53) |

- NOTES:
1. MATERIAL: NYLON TYPE 6/6, 94V-2, NATURAL.
 2. FOR USE WITH .125/(3.18) DIA. SERIES TERMINALS.
 3. MAXIMUM PANEL THICKNESS .090/(2.29).



| | | | | | | | | | | | |
|--|--|--|--|---|--|----------------|--|--|--|--|--|
| | | | | DIMENSIONS SHOWN (METRIC) INCH | | ▽ = 0 | | ▼ = 0 | | REVISE ONLY ON CAD SYSTEM | |
| | | | | UNLESS OTHERWISE SPECIFIED TOLERANCES: ANGULAR ± 1/2° | | TITLE | | HOUSING, 2 CIRCUIT PLUG AND RECEPTACLE | | | |
| | | | | INCH METRIC | | FILE NAME | | SHEET NO. | | DATE | |
| | | | | 3 PLACE ± .010 --- | | SD4306X3 | | 3 | | 6 / 5 / 87 | |
| | | | | 2 PLACE ± .014 ± 0.25 | | DRAWN | | PART NO. | | DRWG. NO. | |
| | | | | 1 PLACE --- ± 0.35 | | GEP | | SEE CHART | | SD-4306-* | |
| | | | | DRAFT WHERE APPLICABLE MUST REMAIN WITHIN DIMENSIONS | | CHK'D. BY | | MOLEX INCORPORATED | | THIS DRAWING CONTAINS INFORMATION THAT IS PROPRIETARY TO MOLEX INC. AND SHOULD NOT BE USED WITHOUT WRITTEN PERMISSION. | |
| | | | | APP'D. BY | | SCALE | | LISLE, ILL. 60532 U.S.A. | | DIV. CP | |
| | | | | RAS | | 2 : 1 | | DEN | | SIZE B | |
| | | | | LTR. REVISIONS | | LTR. REVISIONS | | F SEE SHEET 1 | | E SEE SHEET 1 | |