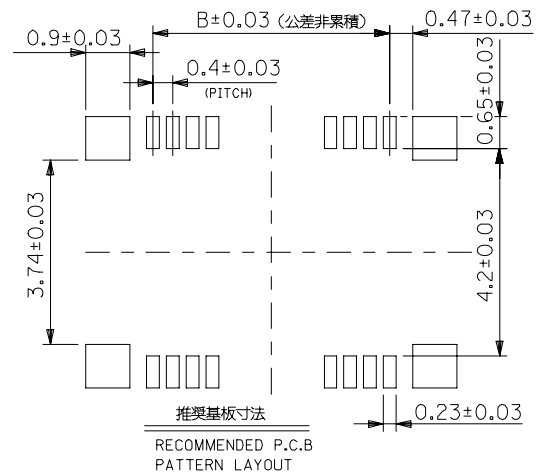
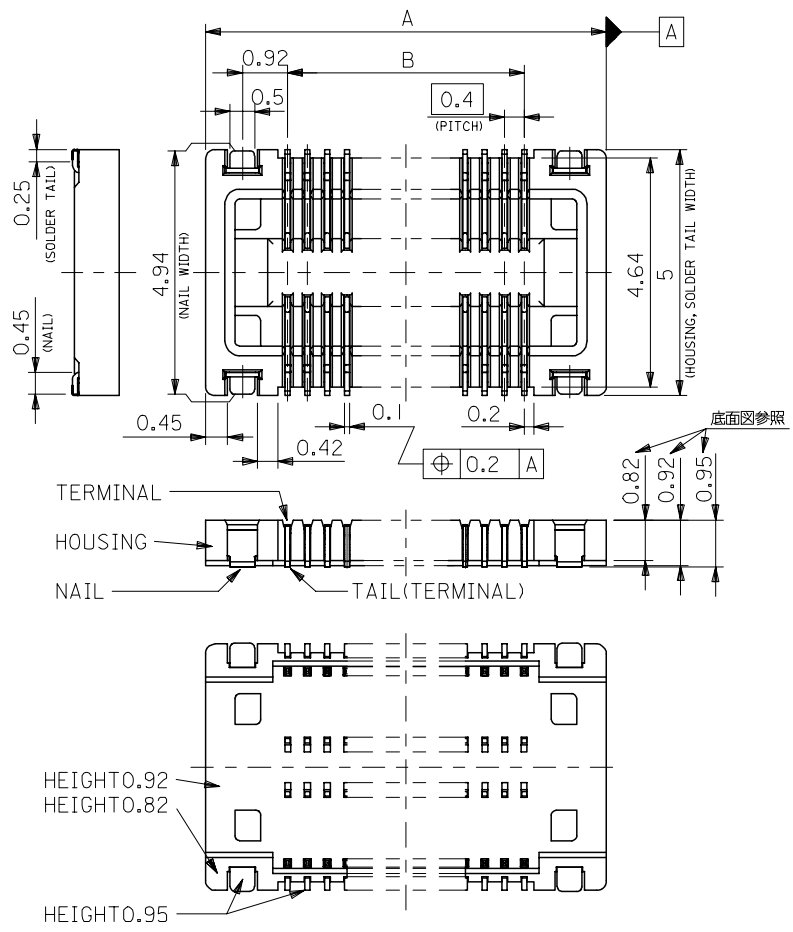


**注記**  
**NOTES**

- 材質 MATERIAL  
ハウジング : 液晶ポリマー-UL94V-0 色:黒  
HOUSING : LIQUID CRYSTAL POLYMER [LCP]  
UL94V-0, COLOR : BLACK  
ターミナル : 銅合金  
TERMINAL : COPPER ALLOY  
ネール : 銅合金  
NAIL : COPPER ALLOY
- メッキ仕様 PLATING  
接点部 : 金メッキ 0.1μm  
CONTACT AREA : GOLD PLATING 0.1μm  
半田付け部 : 金メッキ 0.1μm  
SOLDER TAIL AREA : GOLD PLATING 0.1μm  
下地メッキ : ニッケルメッキ 1.0μm  
UNDER PLATING : NICKEL PLATING 1.0μm  
ネール : 錫メッキ 1.0μm  
NAIL : TIN PLATING 1.0μm  
下地メッキ : ニッケルメッキ 0.5μm  
UNDER PLATING : NICKEL PLATING 0.5μm
- テール及びネールの平坦度は 0.1 以下  
TAIL AND NAIL COPLANARITY : 0.1 MAX.
- 嵌合相手 : 500027 シリウス  
MATE WITH : 500027 SERIES
- 本製品は500024-\*\*08の黒ハウジングタイプである。  
THIS PRODUCT IS BLACK HOUSING TYPE OF 500024-\*\*08.



|       |      |              |         |
|-------|------|--------------|---------|
| 18.94 | 15.6 | 500024-8099  | 80      |
| 15.74 | 12.4 | 500024-6499  | 64      |
| 12.94 | 9.6  | 500024-5099  | 50      |
| 7.74  | 4.4  | 500024-2499  | 24      |
| 6.14  | 2.8  | 500024-1699  | 16      |
| A     | B    | MATERIAL No. | CIRCUIT |

500024-\*\*99 MODEL NO.

|   |  |       |                            |                               |   |                        |                        |
|---|--|-------|----------------------------|-------------------------------|---|------------------------|------------------------|
| RELEASED<br>EC NO: J2005-2583<br>DRAWN: K.SUZUKI 2005/03/09<br>CHKD: NUKITA 2005/03/10<br>APPR: NUKITA 2005/03/18 | GENERAL TOLERANCES (UNLESS SPECIFIED)                      |       | DIMENSION STYLE<br>MM ONLY |                               | SCALE<br>---  | DESIGN UNITS<br>METRIC | THIRD ANGLE PROJECTION |
|   | 10 UNDER   | ±0.2  | DRAWN BY<br>K.SUZUKI       | DATE<br>2005/03/09            | TITLE<br>0.4MM PITCH B/B CONN<br>H=0.95 REC HSG ASSY<br>-LEAD FREE-   |                        |                        |
|   | 10 OVER 30 UNDER   | ±0.25 | CHECKED BY<br>N. UKITA     | DATE<br>2005/03/09            |   |                        |                        |
|   | 30 OVER  | ±0.3  | APPROVED BY<br>N. UKITA    | DATE<br>2005/03/09            | MOLEX INCORPORATED  |                        |                        |
|   | ANGULAR  | ±3 °  | MATERIAL NO.               | DOCUMENT NO.<br>SD-500024-026 |   |                        |                        |
| 0   | DRAFT WHERE APPLICABLE<br>MUST REMAIN<br>WITHIN DIMENSIONS |       | SEE CHART                  |                               | THIS DRAWING CONTAINS INFORMATION THAT IS PROPRIETARY TO MOLEX INCORPORATED AND SHOULD NOT BE USED WITHOUT WRITTEN PERMISSION |                        |                        |

10 9 8 7 6 5 4 3 2 1

F

F

E

E

D

D

C

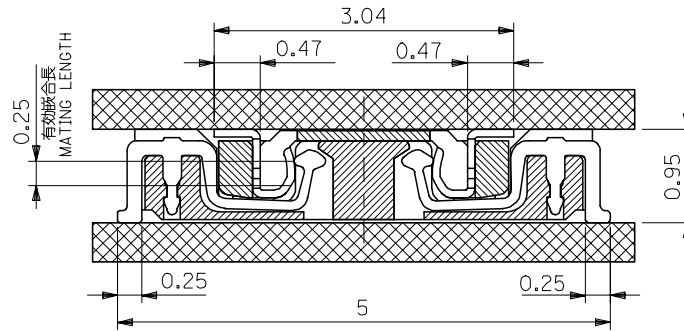
C

B

B

A

A



嵌合断面図 (参考)  
MATED DRAWING

|   |                                       |  |                            |  |                               |                        |   |  |  |
|---|---------------------------------------|--|----------------------------|--|-------------------------------|------------------------|---|--|--|
| RELEASED<br>EC NO: J2005-2583<br>DRWNG: SUZUKI 2005/03/09<br>CHKD: NUKITA 2005/03/10<br>APPR: NUKITA 2005/03/18 | GENERAL TOLERANCES (UNLESS SPECIFIED) |  | DIMENSION STYLE<br>MM ONLY |  | SCALE<br>---                  | DESIGN UNITS<br>METRIC | THIRD ANGLE PROJECTION  |  |  |
|   | 10 UNDER                              | ±0.2   | DRAWN BY<br>K. SUZUKI      |  | DATE<br>2005/03/03            |                        | TITLE<br>0.4MM PITCH B/B CONN<br>H=0.95 REC HSG ASSY<br>-LEAD FREE- |  |  |
|   | 10 OVER 30 UNDER                      | ±0.25  | CHECKED BY<br>N. UKITA     |  | DATE<br>2005/03/03            |                        |   |  |  |
|   | 30 OVER                               | ±0.3   | APPROVED BY<br>N. UKITA    |  | DATE<br>2005/03/03            |                        | MOLEX INCORPORATED  |  |  |
|   | ANGULAR                               | ±3 °   | MATERIAL NO.<br>SEE CHART  |  | DOCUMENT NO.<br>SD-500024-026 |                        |   |  |  |
| 0   | DESCRIPTION                           | DRAFT WHERE APPLICABLE<br>MUST REMAIN<br>WITHIN DIMENSIONS |                            | THIS DRAWING CONTAINS INFORMATION THAT IS PROPRIETARY TO MOLEX<br>INCORPORATED AND SHOULD NOT BE USED WITHOUT WRITTEN PERMISSION |                               |                        |   |  |  |

9

8

7

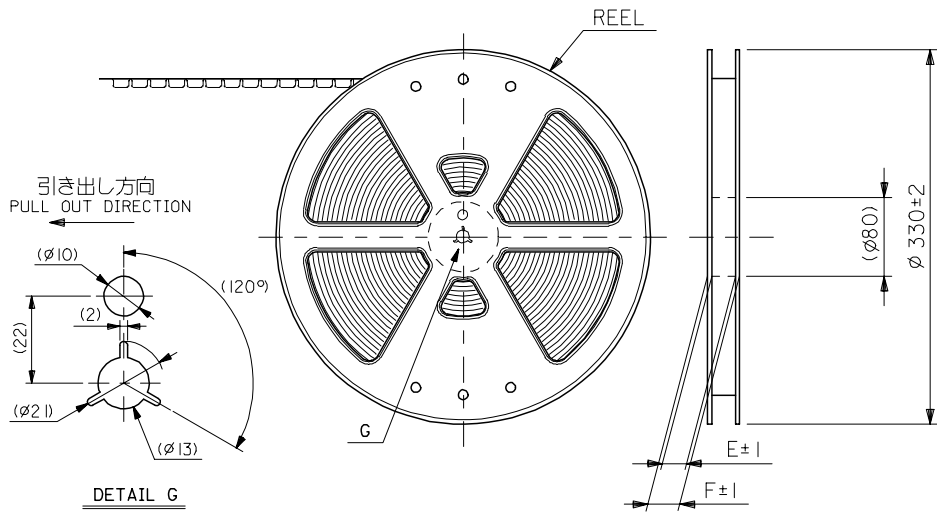
6

5

4

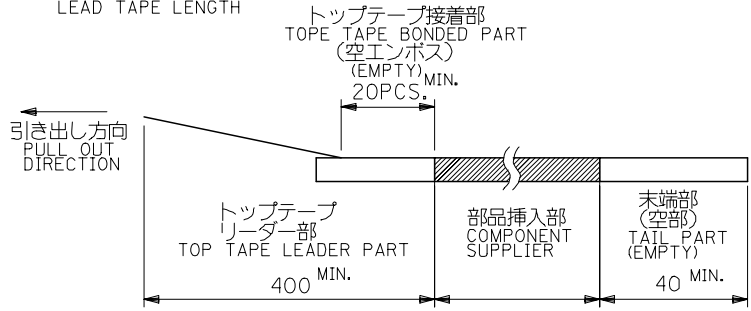
3

2



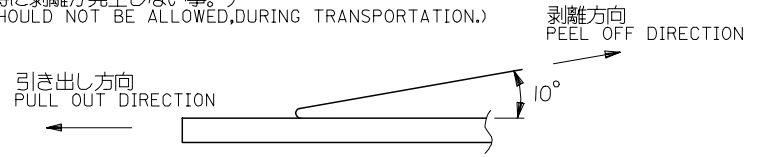
注) NOTES

1. 製品番号 500024-\*\*99 詳細寸法については、製品単体図面を参照下さい。  
IN THE PACKAGE PART NUMBER 500024-\*\*99 DETAILED DIMENSIONS, SEE SALES DRAWING FOR CONNECTOR.
2. 梱包数量：2000個/リール  
NUMBER OF CONNECTORS : 2000 PCS/REEL.
3. リードテープ長さ  
LEAD TAPE LENGTH



4. トップテープの剥離強度：(剥離方向は下図参照)  
PEELING OFF FORCE OF TOP TAPE (PELLING DIRECTION AS SHOWN IN FOLLOWING FIGURE.)  
0. 1~1. 3N {10~130gf}

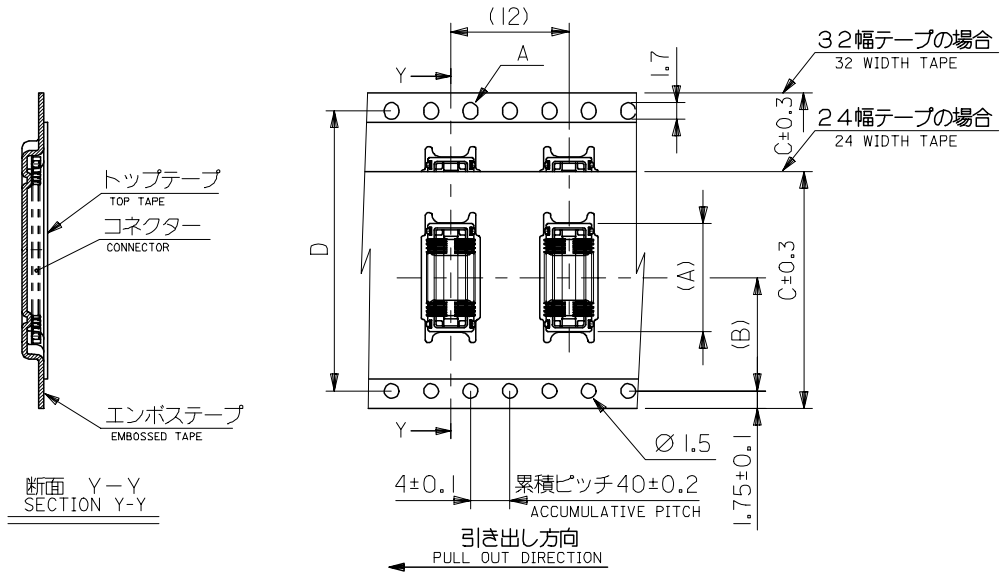
尚、本規格値は、出荷時に適用。  
THIS REQUIREMENT SHOULD BE APPLIED AT SHIPMENT.  
(但し、輸送時に剥離が発生しない事。)  
(PEEL OFF SHOULD NOT BE ALLOWED, DURING TRANSPORTATION.)



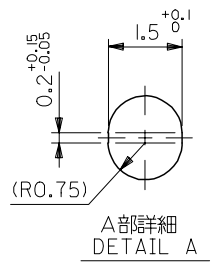
5. 材料  
MATERIAL  
キャリアテープ：ポリプロピレン (PP)  
CARRIER TAPE: POLYPROPYLENE (PP)  
トップテープ：PET, PE, PEF  
TOP TAPE: PET, PE, PEF  
リール：ポリスチレン  
REEL : POLYSTYRENE
6. 本製品は500024-\*\*71の黒ハウジングタイプである。  
THIS PRODUCT IS BLACK HOUSING TYPE OF 500024-\*\*71.

500024-\*\*91 MODEL NO.

|  |  |       |                            |                    |   |                        |                        |  |
|--|--|-------|----------------------------|--------------------|---|------------------------|------------------------|--|
| RELEASED<br>EC NO: J2005-2583<br>DRAWN: KENSUJUKI 2005/03/09<br>CHKD: NUKITA 2005/03/10<br>APPR: NUKITA 2005/03/18 | GENERAL TOLERANCES (UNLESS SPECIFIED)                      |       | DIMENSION STYLE<br>MM ONLY |                    | SCALE<br>---  | DESIGN UNITS<br>METRIC | THIRD ANGLE PROJECTION |  |
|  | 10 UNDER   | ±0.2  | DRAWN BY<br>K. SUZUKI      | DATE<br>2005/03/09 | TITLE<br>0.4B/B H=1.0 REC.<br>TAPING PACKAGE<br>-LEAD FREE- |                        |                        |  |
|  | 10 OVER 30 UNDER   | ±0.25 | CHECKED BY<br>N. UKITA     | DATE<br>2005/03/03 |   |                        |                        |  |
|  | 30 OVER  | ±0.3  | APPROVED BY<br>N. UKITA    | DATE<br>2005/03/03 | MOLEX INCORPORATED  |                        |                        |  |
|  | ANGULAR  | ±3 °  | MATERIAL NO.               | DOCUMENT NO.       |   |                        |                        |  |
| 0  | DRAFT WHERE APPLICABLE<br>MUST REMAIN<br>WITHIN DIMENSIONS |       | SEE CHART                  |                    | SD-500024-027   |                        | 1 OF 2                 |  |



断面 Y-Y  
SECTION Y-Y



A部詳細  
DETAIL A

|       |      |    |      |      |      |             |             |    |
|-------|------|----|------|------|------|-------------|-------------|----|
| 18.94 | 14.2 | 32 | 28.4 | 33.4 | 37.4 | 500024-8099 | 500024-8091 | 80 |
| 15.74 | 14.2 |    | 28.4 |      |      | 500024-6499 | 500024-6491 | 64 |
| 12.94 | 11.5 | 24 | —#—  | 25.4 | 29.4 | 500024-5099 | 500024-5091 | 50 |
| 7.74  | 11.5 |    | —#—  |      |      | 500024-2499 | 500024-2491 | 24 |
| 6.14  | 11.5 |    | —#—  |      |      | 500024-1699 | 500024-1691 | 16 |
| (A)   | (B)  |    | C    |      |      | D           | E           | F  |

|  |  |       |                            |  |   |                        |   |  |
|--|--|-------|----------------------------|--|---|------------------------|---|--|
| RELEASED<br>EC NO: J2005-2583<br>DRAWN: KENSUJIKI 2005/03/09<br>CHKD: NUKITA 2005/03/10<br>APPR: NUKITA 2005/03/18 | GENERAL TOLERANCES (UNLESS SPECIFIED)                |       | DIMENSION STYLE<br>MM ONLY |  | SCALE<br>---  | DESIGN UNITS<br>METRIC | THIRD ANGLE PROJECTION                                |  |
|  | 10 UNDER   | ±0.2  | DRAWN BY<br>K. SUZUKI      |  | DATE<br>2005/03/03  |                        | TITLE<br>0.4B/B H=1.0 REC. TAPING PACKAGE -LEAD FREE- |  |
|  | 10 OVER 30 UNDER                                     | ±0.25 | CHECKED BY<br>N. UKITA     |  | DATE<br>2005/03/03  |                        | MOLEX INCORPORATED                                    |  |
|  | 30 OVER  | ±0.3  | APPROVED BY<br>N. UKITA    |  | DATE<br>2005/03/03  |                        | DOCUMENT NO.<br>SD-500024-027                         |  |
|  | ANGULAR  | ±3 °  | MATERIAL NO.<br>SEE CHART  |  | SHEET NO.<br>2 OF 2   |                        |   |  |
| 0  | DRAFT WHERE APPLICABLE MUST REMAIN WITHIN DIMENSIONS |       | SIZE<br>A3                 |  | THIS DRAWING CONTAINS INFORMATION THAT IS PROPRIETARY TO MOLEX INCORPORATED AND SHOULD NOT BE USED WITHOUT WRITTEN PERMISSION |                        |   |  |