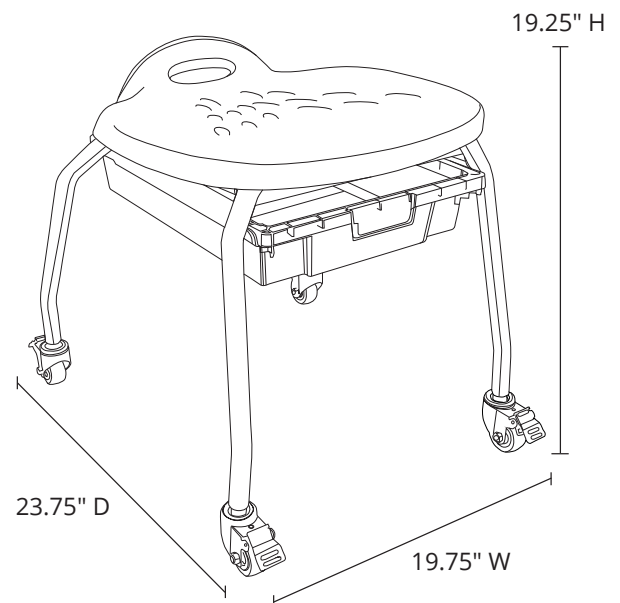


MBS-STOOL-1

Stackable School Stool with Wheels and Storage

Product Specifications

Item Number	MBS-STOOL-1
Material	Seat: PP+ glass fiber Frame and Legs: Powder-coated steel Storage Bin: Polypropylene
Overall Dimensions	19.75" W x 23.75" D x 19.25" H
Seat Height	18" H
Backrest Dimensions	9" W x 2" H
Seat Dimensions	16.75" W x 16.5" D
Removable Bin Dimensions	12.25" W x 16.75" D x 3" H
Removable Bin Weight Capacity	20 lbs. (when fully inserted) 5 lbs. (when pulled out on its track)
Product Weight	14 lbs.
Casters	2" full-swivel, all casters include locking brakes which secure both the wheel and the swivel mechanism
Additional Features	Grab handle
Weight Capacity	269 lbs.
Maximum Stack Height	3 (bins must be removed for stacking)
Shipping Method	Ground
Shipping Carton Dimensions	20.25" W x 20.25" D x 20" H
Shipping Weight	17.25 lbs.
Assembly Required	No



WARNING: Do not stand on the stools. Do not stack more than 3 high.

To Order, Call Your
Sales Representative or
800-323-4656