



U100 SERIES UNBALANCED CABLE

OVERVIEW

The U100 Series unbalanced cable can handle the rigors of any audio environment.

The PE insulation ensures the best possible signal flow and extends the useful life of the cable. It's durable and flexible PVC jacket protects the oxygen-free copper conductors from whatever life throws at it. The improved conductivity of bare copper conductors ensures that your signal will be strongest when it reaches the destination. The braided copper spiral shield provides protection from EMI, resulting in a dependable addition to any professional audio engineer's toolbox.

This bulk cable is available in 100ft and 500ft spools.

Applications:

- Custom Shop Patch Cable
- Custom Lengths for Any Size Patch Bay
- Balanced Audio
- Low Voltage Signal

NOTE: Not rated for in-wall use



Product specifications may change without prior notification

Io Audio Technologies® is a registered trademark of Knight Electronics, Inc.
10557 Metric Dr. Dallas, TX 75243 | 214-340-0265 | 800-323-2439 | Fax: 214-340-5870 |
www.ioaudiotechnologies.com



SPECIFICATIONS

Product

Part Number: **IO-A02106-500SP (500')**
IO-A02106-100SP (100')

Number of Conductors: **1 plus shield**

Conductors

Details: **50/0.12mm Bare OFC**

Size: **20 AWG**

Electrical and Mechanical Characteristics

Conductor DC Resistance: **$0.035 \pm 1\% \Omega/m$**

Shield DC Resistance: **$0.033 \pm 1\% \Omega/m$**

Capacitance Between Conductor and Shield: **$\leq 33.3 \text{ pF/ft}$**

Voltage Breakdown: **500 V**

Flex Life: **$\geq 17,700$**

Tensile Strength: **$\geq 197.82 \text{ N}$**

Applicable Temperature: **$-20^\circ\text{C} \sim +60^\circ\text{C}$ ($-4^\circ\text{F} \sim +140^\circ\text{F}$)**

Peak Temperature: **$-40^\circ\text{C} \sim +70^\circ\text{C}$ ($-40^\circ\text{F} \sim +158^\circ\text{F}$)**

Insulation

Material: **Conductive PE**

Colors: **Black**

Shield

Details: **Spiraled Copper**

Construction: **55/0.12 Bare OFC**

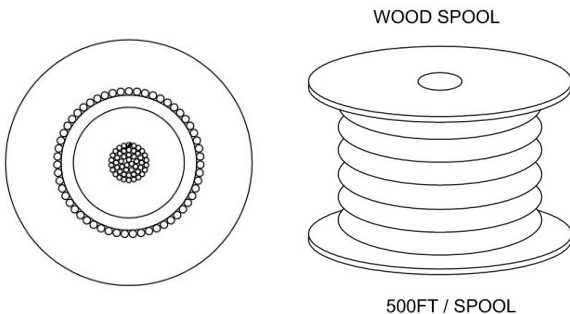
Jacket

O.D.: **6.0mm**

Material: **PVC**

Color: **Black**

CONFIGURATION



STANDARDS & CLASSIFICATIONS



Product specifications may change without prior notification