



# WIRE TERMINATION

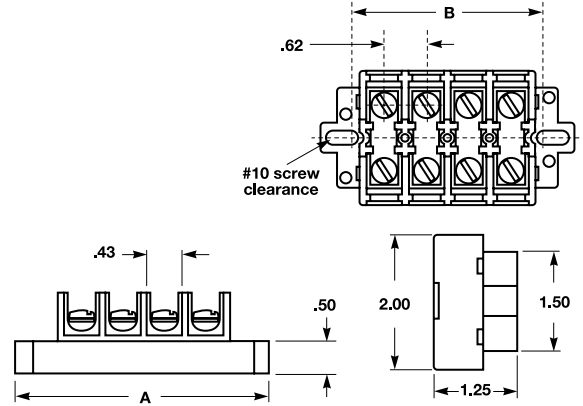
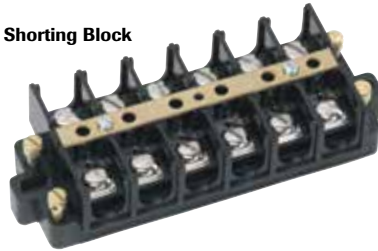
WWW.IDEALIND.COM • 1-800-435-0705 CUSTOMER ASSISTANCE

## 89-500 Series Terminal Strip Dimensions

Standard Block



Shorting Block



No. of Poles	Dimensions		Standard Block Cat. No.	Shorting Block Cat. no.
	A	B		
4	3.75	2.87	89-504	89-505
6	5.00	4.12	89-506	89-507
8	6.25	5.37	89-508	89-509
12	8.75	7.87	89-512	89-513

Max. electrical rating 60A/600V achieved only when used with #6 AWG copper wire crimped to ring terminal.

