


NO.	DESCRIPTION	MATERIAL	FINISH	Q'TY
8	BOOT	PVC	BLACK	1
7	T-RING	POM	WHITE	1
6	CAP	PA	BLACK	1
5	CHUCK	POM	WHITE	1
4	TERMINAL	H62	TIN	1
3	INSULATOR	PA	BLACK	1
2	PIN	H59-1	GOLD	5
1	DIE-CAST SHELL	ZZnAl4-0	ELECTRO-COATING BLACK	1

DIMENSIONS ARE IN MILLIMETERS
 UNLESS OTHERWISE SPECIFIED
 TOLERANCES
 ANGLES = ±5°
 UP TO 6 = ±0.2
 6-40 = ±0.4
 40-120 = ±0.6
 120-315 = ±1
 ABOVE 315 = ±1.6

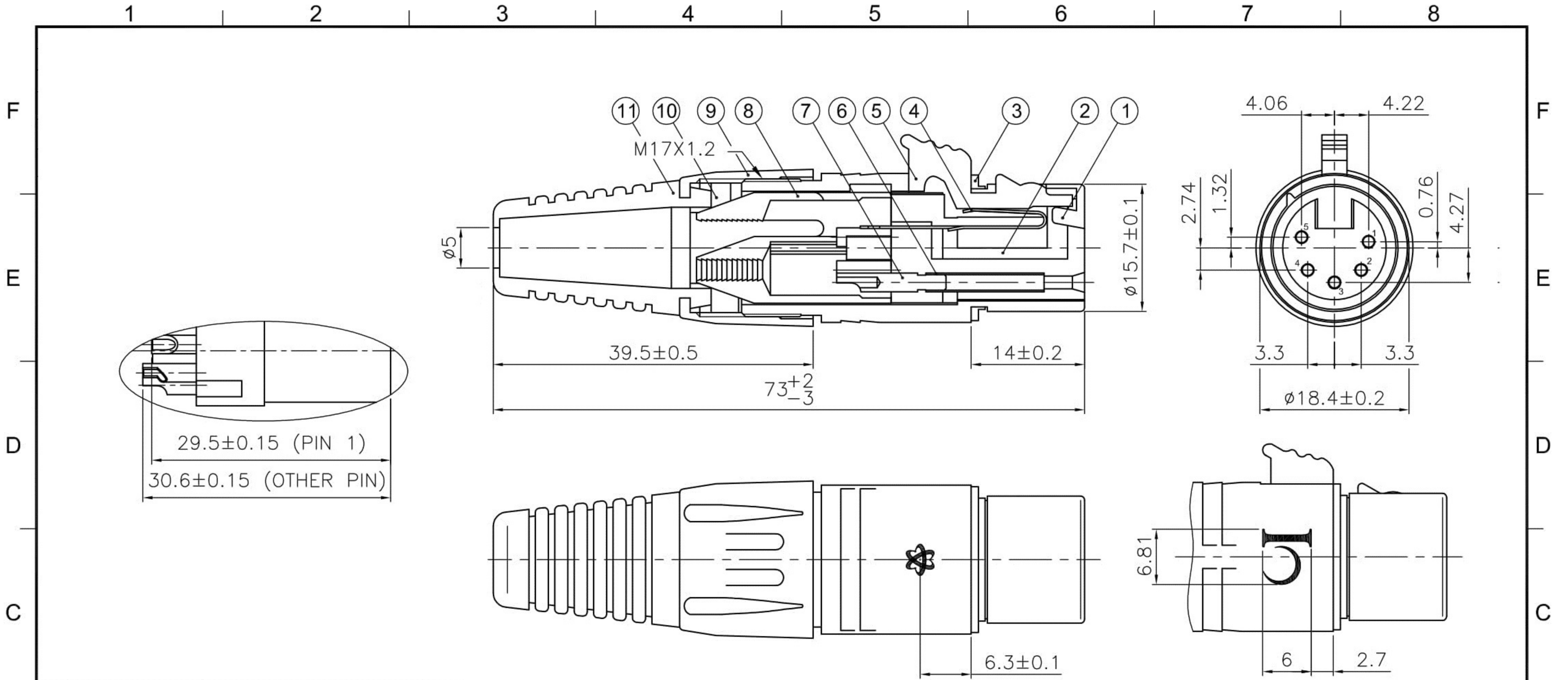
THIRD_ANGLE 
 SCALE 1.5/1

IO AUDIO TECHNOLOGIES

TITLE 5P Male XLR Connector, Gold Plated


PART NO. IO-XLR5-M-BKAU

REV. A1



11	BOOT	PVC	BLACK	1
10	T-RING	POM	WHITE	1
9	CAP	PA	BLACK	1
8	CHUCK	POM	WHITE	1
7	PIN	H59-1	GOLD	5
6	FEMALE PIN	PHOSPHOR BRONZE	GOLD	5
5	PUSH BUTTON	ZZnAL4-0	NICKEL	1
4	LATCH	STAINLESS STEEL	TIN	1
3	SEAL	RUBBER	BLACK	1
2	INSULATOR	PA	BLACK	1
1	DIE-CAST SHELL	ZZnAL4-0	Electro-coating black	1
NO.	DESCRIPTION	MATERIAL	FINISH	Q'TY

DIMENSIONS ARE IN MILLIMETERS
UNLESS OTHERWISE SPECIFIED
TOLERANCES
ANGLES = ±5°
UP TO 6 = ±0.2
6-40 = ±0.4
40-120 = ±0.6
120-315 = ±1
ABOVE 315 = ±1.6

THIRD_ANGLE 

SCALE 1.5/1

IO AUDIO[®] TECHNOLOGIES

TITLE
5P Female XLR Connector, Gold Plated

PART NO. **IO-XLR5-F-BKAU** REV. **A1**