

A-A' SECTION

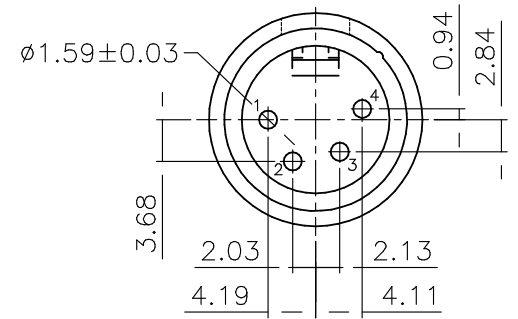
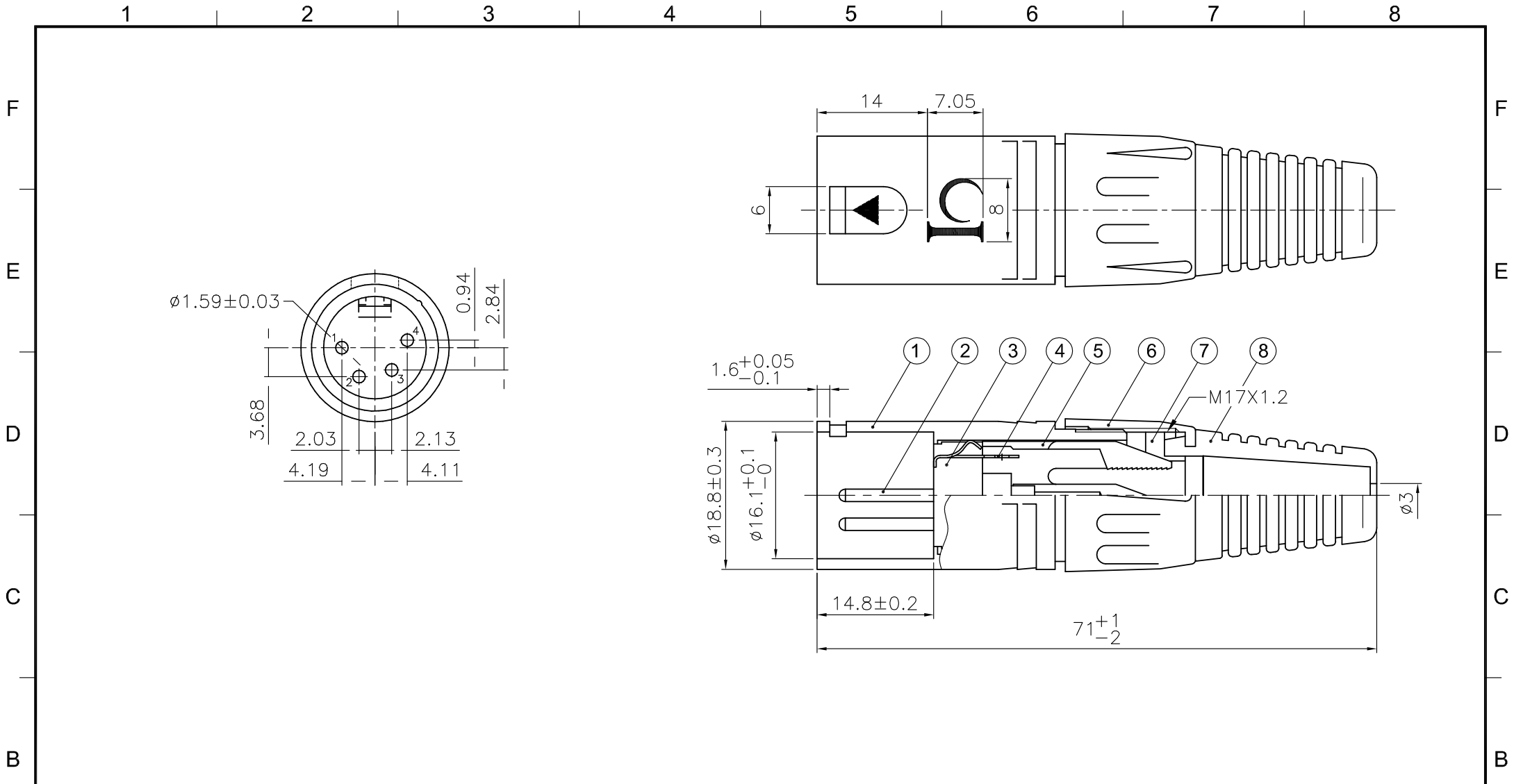
11	SOLDER CONTACTS	H59-1	SILVER	4
10	FEMALE PINS	PHOSPHOR BRONZE	SILVER	4
9	FLEXIBLE BOOT	PVC	BLACK	1
8	COMPRESSION RING	POM	WHITE	1
7	BOOT CAP	PA	BLACK	1
6	CHUCK	POM	WHITE	1
5	LATCH BUTTON	ZnAl4-0	NICKEL	1
4	LATCH	STAINLESS STEEL	TIN	1
3	O-RING	RUBBER	BLACK	1
2	INSULATOR	PA	BLACK	
1	DIE CAST SHELL	ZnAl4-0	ELECTRO-PLATED BLACK	1
NO.	DESCRIPTION	MATERIAL	FINISH	Q'TY

DIMENSIONS ARE IN MILLIMETERS	
UNLESS OTHERWISE SPECIFIED TOLERANCES	
ANGLES = ±5°	
UP TO 6 = ±0.2	
6-40 = ±0.4	
40-120 = ±0.6	
120-315 = ±1	
ABOVE 315 = ±1.6	
THIRD_ANGLE	
SCALE	1.5/1

Io Audio Technologies

DESCRIPTION
4 PIN XLR FEMALE CONNECTOR, SILVER PINS, BLACK HOUSING

PART NUMBER **IO-XLR4-F-BK** REV. **A1**



8	FLEXIBLE BOOT	PVC	BLACK	1
7	COMPRESSION RING	POM	WHITE	1
6	BOOT CAP	PA	BLACK	1
5	CHUCK	POM	WHITE	1
4	GND TERMINAL	H62	TIN	1
3	INSULATOR	PA	BLACK	1
2	PINS	H59-1	SILVER	4
1	DIE CAST SHELL	ZnAl4-0	ELECTRO-PLATED BLACK	1
NO.	DESCRIPTION	MATERIAL	FINISH	Q'TY

DIMENSIONS ARE IN MILLIMETERS	
UNLESS OTHERWISE SPECIFIED	
TOLERANCES	
ANGLES = ±5°	
UP TO 6 = ±0.2	
6-40 = ±0.4	
40-120 = ±0.6	
120-315 = ±1	
ABOVE 315 = ±1.6	
THIRD_ANGLE	
SCALE	1.5/1

Io Audio Technologies

DESCRIPTION
4 PIN XLR MALE CONNECTOR, SILVER PINS, BLACK HOUSING

PART NUMBER **IO-XLR4-M-BK** REV. **A1**