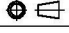


| 8 | BOOT | PVC | BLACK | 1 |
|-----|----------------|----------|-----------------------|------|
| 7 | T-RING | POM | WHITE | 1 |
| 6 | CAP | PA | BLACK | 1 |
| 5 | CHUCK | POM | WHITE | 1 |
| 4 | TERMINAL | H62 | TIN | 1 |
| 3 | INSULATOR | PA | BLACK | 1 |
| 2 | PIN | H59-1 | SILVER | 3 |
| 1 | DIE-CAST SHELL | ZZnAL4-0 | Electro-coating black | 1 |
| NO. | DESCRIPTION | MATERIAL | FINISH | Q'TY |

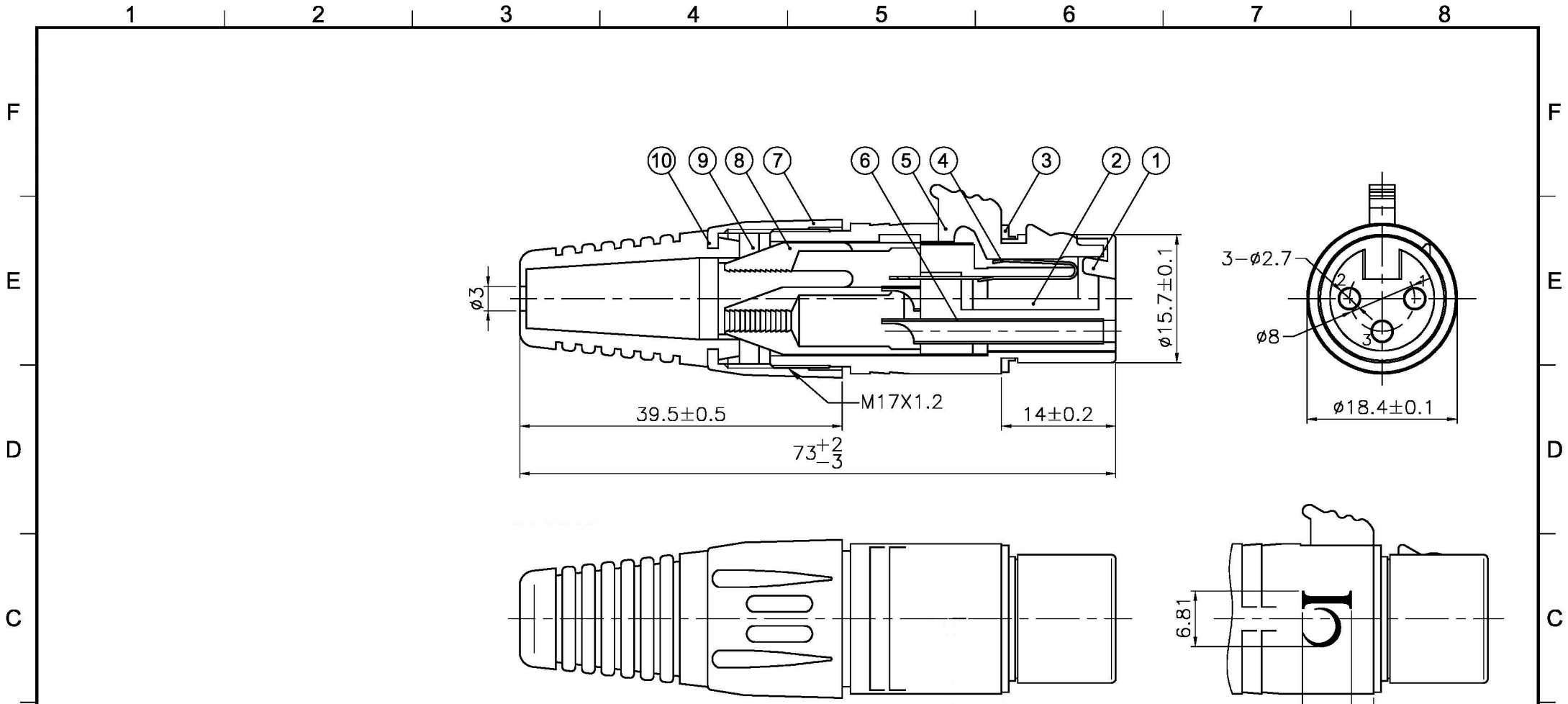
DIMENSIONS ARE IN MILLIMETERS
 UNLESS OTHERWISE SPECIFIED
 TOLERANCES
 ANGLES = ±5°
 UP TO 6 = ±0.2
 6-40 = ±0.4
 40-120 = ±0.6
 120-315 = ±1
 ABOVE 315 = ±1.6

THIRD_ANGLE 
 SCALE 1.5/1

AUDIO
TECHNOLOGIES

TITLE
**3 PIN XLR MALE CONNECTOR
 BLACK HOUSING**

PART NO. **IO-XLR3-M-BK** REV. **A1**



| 10 | BOOT | PVC | BLACK | 1 |
|-----|-------------|-----------------|-----------------------|------|
| 9 | T-RING | POM | | 1 |
| 8 | CHUCK | POM | BLACK | 1 |
| 7 | CAP | PA | BLACK | 1 |
| 6 | FEMALE PIN | PHOSPHOR BRONZE | SILVER | 3 |
| 5 | PUSH BUTTON | ZZnAL4-1 | NICKEL | 1 |
| 4 | LATCH | STAINLESS STEEL | SILVER | 1 |
| 3 | SEAL | RUBBER | BLACK | 1 |
| 2 | INSULATOR | PA | BLACK | 1 |
| 1 | BODY | ZZnAL4-1 | Electro-coating black | 1 |
| NO. | DESCRIPTION | MATERIAL | FINISH | Q'TY |

DIMENSIONS ARE IN MILLIMETERS
 UNLESS OTHERWISE SPECIFIED
 TOLERANCES
 ANGLES = ±5°
 UP TO 6 = ±0.2
 6-40 = ±0.4
 40-120 = ±0.6
 120-315 = ±1
 ABOVE 315 = ±1.6

IO AUDIO TECHNOLOGIES

TITLE
**3P XLR FEMALE CONNECTOR,
 BLACK HOUSING**

THIRD_ANGLE PART NO. **IO-XLR3-F-BK** REV. **A1**

SCALE **1.5/1**