

| 12  | BRASS SHELL  | H59-1    | NICKEL TIN | 1    |
|-----|--------------|----------|------------|------|
| 11  | S-TERMINAL   | H62      | SILVER     | 1    |
| 10  | CABLE CLAMP  | H59-1    | NICKEL TIN | 1    |
| 9   | PLASTIC TUBE | P.P.     | NATURAL    | 1    |
| 8   | T-TERMINAL   | H62      | SILVER     | 1    |
| 7   | INSULATOR    | P.P.     | BLUE       | 1    |
| 6   | BRASS BASE   | H59-1    | GOLD       | 1    |
| 5   | BOLT         | Q235     | NICKEL     | 1    |
| 4   | SLEEVE       | H59-1    | NICKEL     | 1    |
| 3   | PLASTIC TUBE | P.P.     | NATURAL    | 1    |
| 2   | INSULATOR    | PA66     | BLACK      | 1    |
| 1   | TIP          | H59-1    | GOLD       | 1    |
| NO. | DESCRIPTION  | MATERIAL | FINISH     | Q'TY |

DIMENSIONS ARE IN MILLIMETERS  
 UNLESS OTHERWISE SPECIFIED  
 TOLERANCES  
 ANGLES = ±5°  
 UP TO 6 = ±0.2  
 6-40 = ±0.4  
 40-120 = ±0.6  
 120-315 = ±1  
 ABOVE 315 = ±1.6

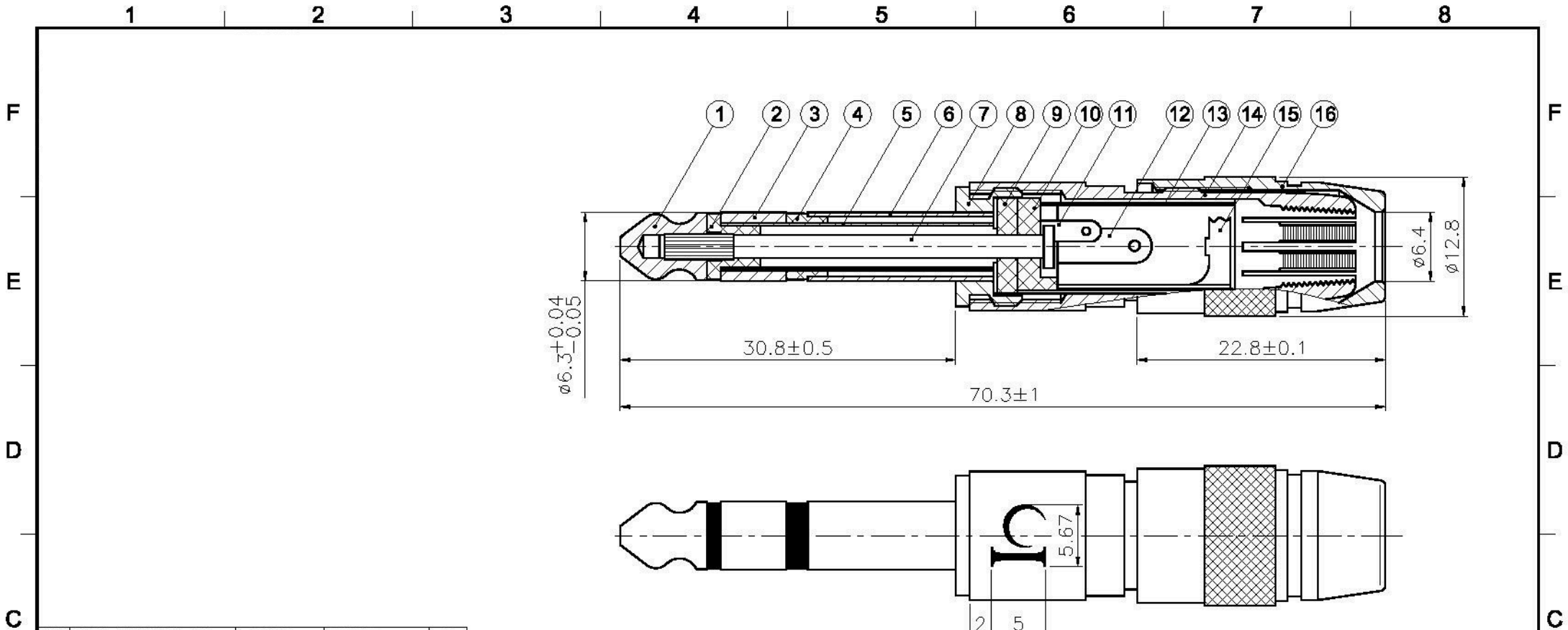
THIRD\_ANGLE

SCALE **2/1**

**AUDIO TECHNOLOGIES**

TITLE  
**T BK Series 1/4" TS Male Plug**

PART NO. **IO-T2MBK**      REV. **A1**



| 16  | BRASS SHELL  | H59-1    | NICKEL TIN | 1    |
|-----|--------------|----------|------------|------|
| 15  | S-TERMINAL   | H62      | SILVER     | 1    |
| 14  | CABLE CLAMP  | H59-1    | NICKEL TIN | 1    |
| 13  | PLASTIC TUBE | P.P.     | NATURAL    | 1    |
| 12  | T-TERMINAL   | H62      | SILVER     | 1    |
| 11  | R-TERMINAL   | H62      | SILVER     | 1    |
| 10  | INSULATOR    | P.P.     | BLUE       | 1    |
| 9   | INSULATOR    | P.P.     | BLUE       | 1    |
| 8   | BRASS BASE   | H59-1    | GOLD       | 1    |
| 7   | BOLT         | Q235     | NICKEL     | 1    |
| 6   | SLEEVE       | H59-1    | NICKEL     | 1    |
| 5   | PLASTIC TUBE | P.P.     | NATURAL    | 1    |
| 4   | INSULATOR    | PA66     | BLACK      | 1    |
| 3   | SLEEVE       | H59-1    | GOLD       | 1    |
| 2   | INSULATOR    | PA66     | BLACK      | 1    |
| 1   | TIP          | H59-1    | GOLD       | 1    |
| NO. | DESCRIPTION  | MATERIAL | FINISH     | Q'TY |

|                                       |  |
|---------------------------------------|--|
| DIMENSIONS ARE IN MILLIMETERS         |  |
| UNLESS OTHERWISE SPECIFIED TOLERANCES |  |
| ANGLES                                | = ±5°  |
| UP TO 6                               | = ±0.2   |
| 6-40                                  | = ±0.4   |
| 40-120                                | = ±0.6   |
| 120-315                               | = ±1   |
| ABOVE 315                             | = ±1.6   |
| THIRD_ANGLE                           | <input checked="" type="checkbox"/> <input type="checkbox"/> |
| SCALE                                 | 2/1  |

|                           |          |
|---------------------------|----------|
|                           |          |
| TITLE                     |          |
| T BK Series 1/4" TRS Plug |          |
| PART NO.                  | IO-T3MBK |
| REV.                      | A1       |