

12	BOOT	PA66	BK+BL	1
11	CABLE CLAMP	POM		1
10	S-TERMINAL	H62	TIN	1
9	DIE-CAST SHELL	ZZnAl4-1	MATT NICKEL	1
8	T-TERMINAL	H62	TIN	1
7	INSULATOR	PA		1
6	DIE-CAST BASE	ZZnAl4-1	NICKEL	1
5	PLASTIC TUBE	PP		1
4	BOLT	A3	ZINC	1
3	SLEEVE	H62	NICKEL	1
2	INSULATOR	PA66	BLACK	1
1	TIP	H59-1	NICKEL	1
NO.	DESCRIPTION	MATERIAL	FINISH	Q'TY

DIMENSIONS ARE IN MILLIMETERS
 UNLESS OTHERWISE SPECIFIED
 TOLERANCES
 ANGLES = ±5°
 UP TO 6 = ±0.2
 6-40 = ±0.4
 40-120 = ±0.6
 120-315 = ±1
 ABOVE 315 = ±1.6

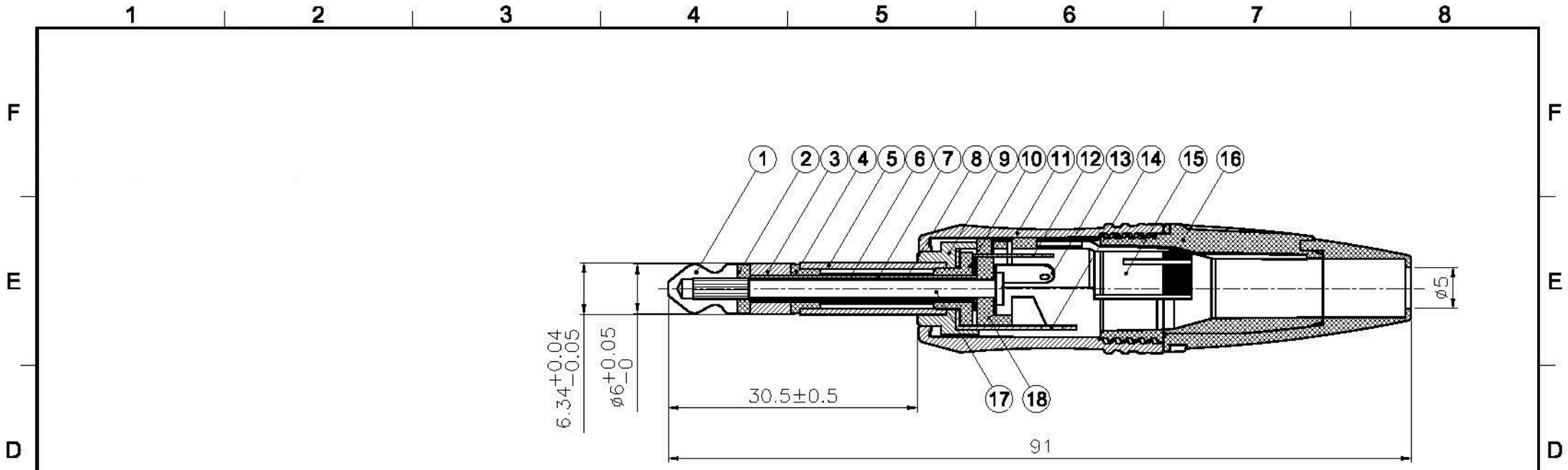
THIRD_ANGLE

SCALE 1.5/1

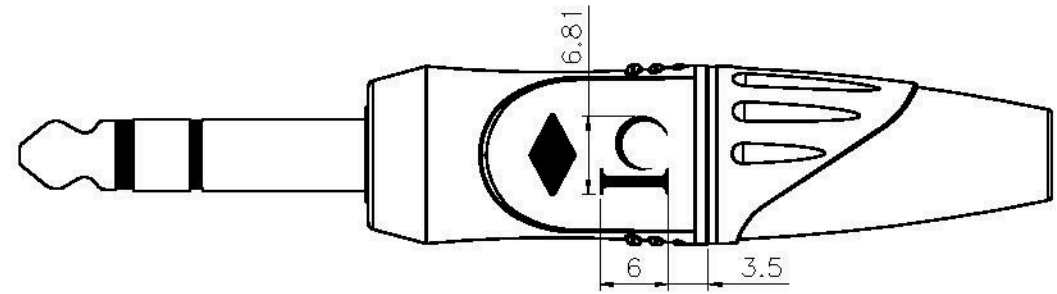
IO AUDIO TECHNOLOGIES

TITLE
M Series 1/4" TS Male Plug

PART NO. **IO-M2MBL** REV. **A1**



18	INSULATOR	PA66	BLACK	1
17	BOLT	Q235	ZINC	1
16	BOOT	PA66	BK+BL	1
15	CABLE CLAMP	POM		1
14	S-TERMINAL	H62	TIN	1
13	T-TERMINAL	H62	TIN	1
12	R-TERMINAL	H62	TIN	1
11	DIE-CAST SHELL	ZZnAl4-1	MATT NICKEL	1
10	INSULATOR	PA66		1
9	DIE-CAST BASE	ZZnAl4-1	NICKEL	1
8	INNER PLASTIC TUBE	PP		1
7	SLEEVE	H62		1
6	PLASTIC TUBE	PP		1
5	SLEEVE	H62	NICKEL	1
4	INSULATOR	PA66	BLACK	1
3	SLEEVE	H62	NICKEL	1
2	INSULATOR	PA66	BLACK	1
1	TIP	H59-1	NICKEL	1
NO.	DESCRIPTION	MATERIAL	FINISH	Q'TY



DIMENSIONS ARE IN MILLIMETERS
 UNLESS OTHERWISE SPECIFIED TOLERANCES
 ANGLES = ±5°
 UP TO 6 = ±0.2
 6-40 = ±0.4
 40-120 = ±0.6
 120-315 = ±1
 ABOVE 315 = ±1.6

IO AUDIO TECHNOLOGIES	
TITLE M Series 1/4" TRS Male Plug	
THIRD_ANGLE	
SCALE	1.5/1
PART NO.	IO-M3MBL
REV.	A1