

1. TECHNICAL SPECIFICATIONS

Mechanical specifications

Dimensions (L x W x H):	210 x 60 x 35mm
Weight:	385g

General specification

Ax1 ring current:	AC current on L conductor direct measurement
Ax10 ring current:	x10 multiplier for low AC current measurement
mA L-N ring current:	indirect/differential leakage current on L-N conductors
mA PE ring current:	direct leakage current on PE conductor
V-N-PE sockets:	V-N and V-PE voltage measurements

Power supply

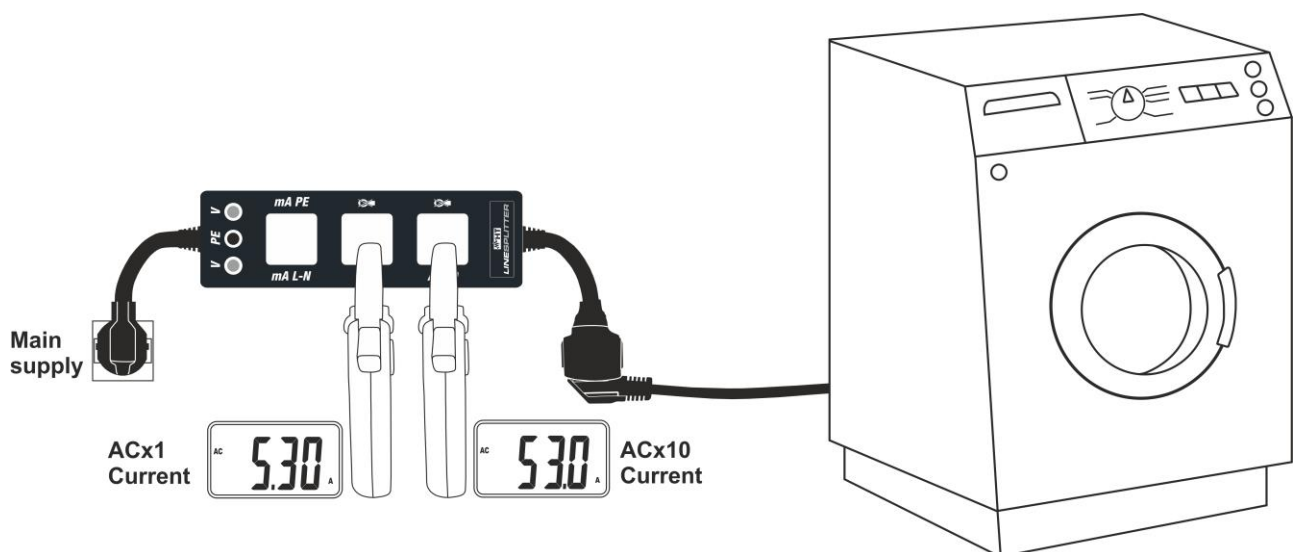
Main supply:	230VAC ($\pm 10\%$), 240VAC ($\pm 10\%$) 50/60Hz
Main connection:	integrated Schuko plug, 50cm length
Load connection:	integrated Schuko plug
Max load current:	16A
Safety:	IEC/EN61010-1, IEC/EN61010-02-030
Measurement category :	CAT II 240V
Max operating altitude:	2000m

Environmental conditions

Operating temperature/humidity:	-20°C ÷ 40 °C / <80%RH
Storage temperature/humidity:	-20°C ÷ 60°C / <80%RH

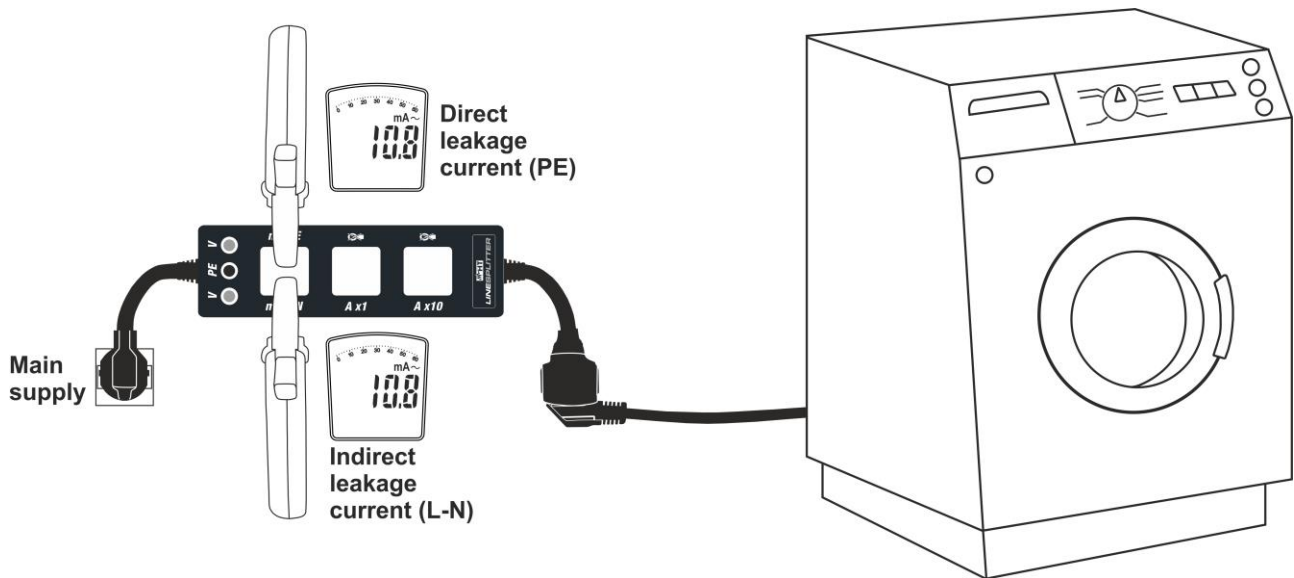
This instrument complies with requirements of Low Voltage Directive 2014/35/EU (LVD) and of EMC Directive 2014/30/EU
 This instrument complies with requirements of European Directive 2011/65/EU (RoHS) and 2012/19/EU (WEEE)

2. APPLICATIONS

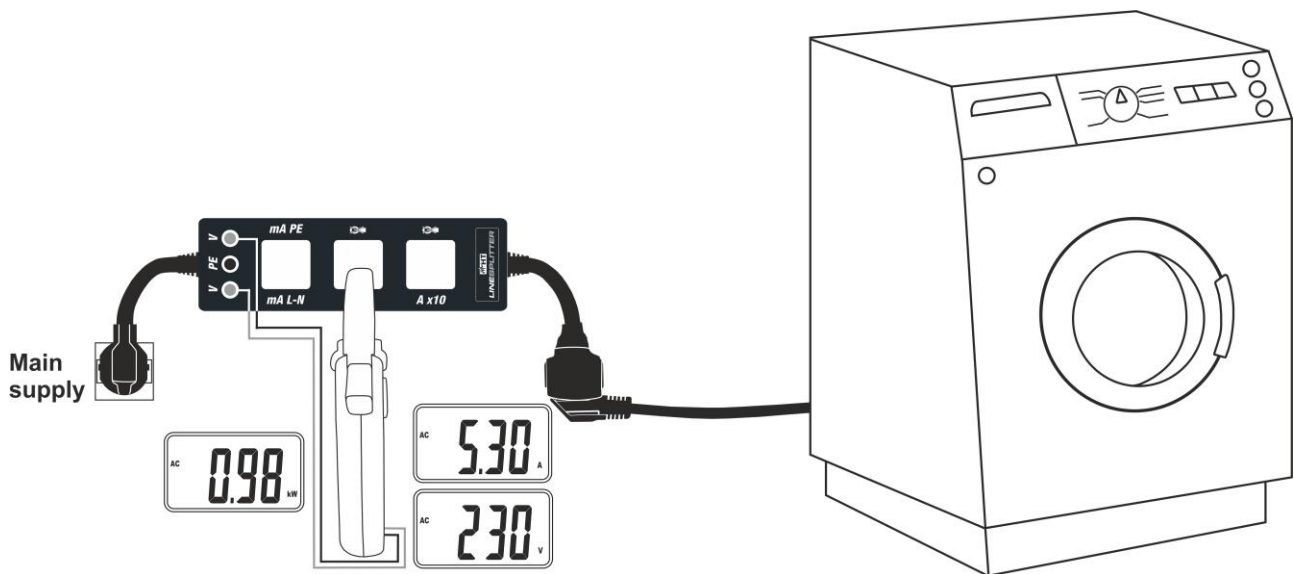


Use of the instrument for line current measurement





Use of the instrument for leakage current measurement



Use of the instrument for current, voltage and power measurement

