

Shielding Boxes

Model HJP - CD12

up to 6 GHz > 80 dB



Specification:

Operation Mode: Manual

Material: Aluminum

Size: 436 x 220 x 350(mm)

Number of Ports: USB3.0 x 2, N - SMA x 4

Options: AC power strip x 1, Visual window x 1,

Temperature Range: -10°C to +50°C

Features:

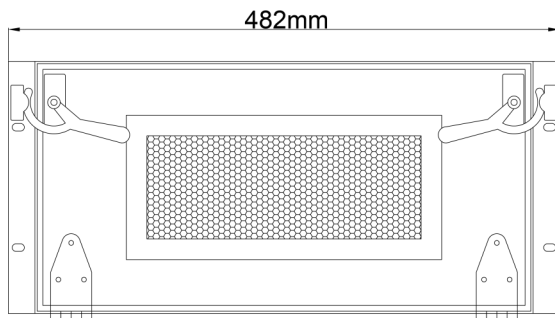
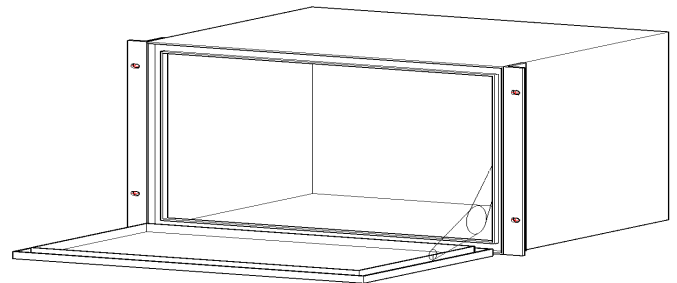
- ◆ Wireless Communication Test, EMI Test, Coupling Test, RF Function Test
- ◆ High quality, cost effective and fast delivery

Shielding Effectiveness

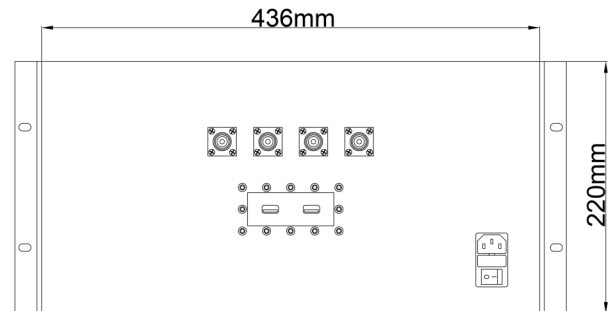
up to 6 GHz

>80 dB

Dimension:



FRONT VIEW



REAR VIEW
CHASSIS DEPTH= 350mm