

Model HJP - CD12B

up to 6 GHz > 80 dB



Number of Ports: USB3.0 x 4, N - SMA x 4,

Options: AC power strip x 1, Visual window x 1,
diamond white ambient lighting

Temperature Range: -10°C to +50°C

Features:

- ◆ Wireless Communication Test, EMI Test, Coupling Test, RF Function Test
- ◆ High quality, cost effective and fast delivery

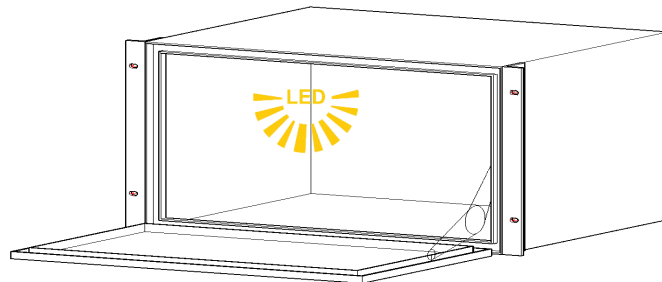
Shielding Effectiveness	
up to 6 GHz	>80 dB

Specification:

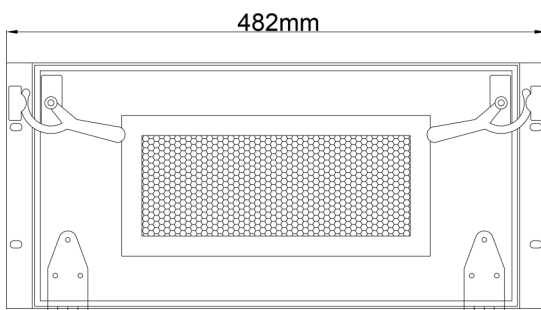
Operation Mode: Manual

Material: Aluminum

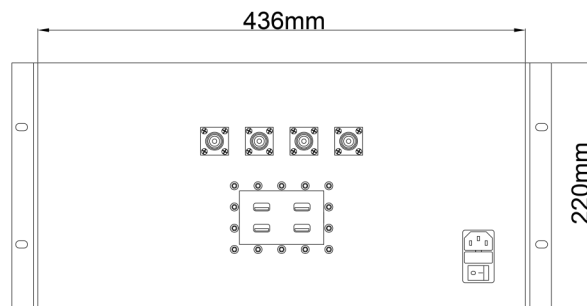
Size: 436 x 220 x 350(mm)



Dimension:



FRONT VIEW



REAR VIEW
CHASSIS DEPTH= 350mm