

SNG 200P

FAST EDGE SWITCHING NOISE ON E-VEHICLE HV LINES



FOR TESTS ACCORDING TO ...

› VW 80300

SNG 200P - EHV-16 FAST EDGE SWITCHING NOISE

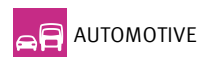
The SNG 200P is designed to simulate high voltage events in electrical vehicles according to EHV-16.

The generator serves as a disturbance source of up to 100 V coupled on HV batteries, and is entirely battery powered so that you can take the generator directly to the injection point on the DUT.

HIGHLIGHTS

- › Portabel switched noise generator
- › Fast edge switch noise for VW 80300, EHV-16
- › Built-in 100 V power supply
- › Battery operated with rechargeable batteries
- › In advance programmable via AutoWave
- › Fast rise and fall time
- › Manual operation

APPLICATION AREAS



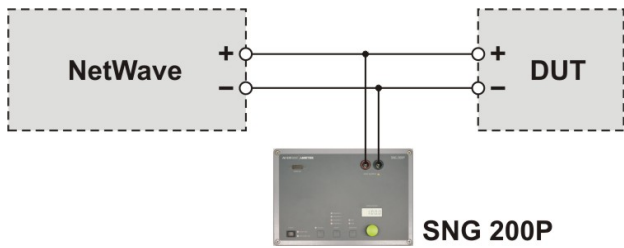
TECHNICAL DETAILS

APPLICATION

SNG 200P - EHV-16 FAST EDGE SWITCHING NOISE

The SNG 200P is designed to simulate high voltage events in electrical vehicles according to EHV-16.

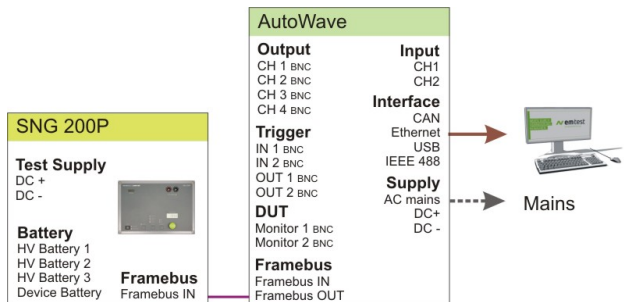
The generator serves as a disturbance source of up to 100V coupled on HV batteries.



SOFTWARE PROGRAMMING

TEST SEQUENCE PROGRAMMING WITH THE AUTOWAVE

The Software AutoWave.control, is required in order to send predefined sequences to the SNG 200P, but does not control the generator during the test run.



TECHNICAL DATA

OUTPUT CHARACTERISTICS	
Test supply voltage (DUT voltage)	SNG 200P: max. 500 VDC SNG 200P1000: max. 1000 VDC
Output voltage	100 V peak max.
Switching time	< 1 us (rise/fall time) typ. 200 ns
Pulse width td	1 us - 1 h
Repetition time	100 us - 10 ms (with max. 10 pulses) 10 ms - 100ms (with max. 10 pulses if duty cycles < 0.1%) 100 ms - 1 h (without pulse limitation)
Battery operation	> 1 hr. depending on voltage and repetition time

GENERAL DATA

INTERFACES	
Framebus	Control Bus through AutoWave

GENERAL DATA	
Dimensions	(250 mm x 160 mm x 1250 mm)
Weight	Approx. 10 kg

POWER SUPPLY	
Plugs	6 mm banana, (Stäubli / Multi Contact)
batteries	4
Charging	external charging unit

ENVIRONMENTAL	
Temperature	23 °C ±5 °C (operating), 10 °C to 35 °C (storage)
Rel. humidity	25 % to 75 %, non-condensing
Atmospheric pressure	86 kPa (860 mbar) to 106 kPa (1,060 mbar)

COMPETENCE WHEREVER YOU ARE



CONTACT EM TEST DIRECTLY

Switzerland

AMETEK CTS GmbH › Sternenhofstraße 15 › 4153 Reinach › Switzerland
Phone +41 (0)61 204 41 11 › Fax +41 (0)61 204 41 00
Internet: www.ametek-cts.com › E-mail: sales.conducted.cts@ametek.com

Germany

AMETEK CTS Europe GmbH › Customer Care Center EMEA › Lünener Straße 211
› 59174 Kamen › Germany
Phone +49 (0) 2307 26070-0 › Fax +49 (0) 2307 17050
Internet: www.ametek-cts.com › E-mail: info.cts.de@ametek.com

Poland

AMETEK CTS Europe GmbH › Biuro w Polsce › ul. Twarda 44 › 00-831 Warsaw › Poland
Phone +48 (0) 518 643 12
Internet: www.ametek-cts.com › E-mail: Infopolska.cts@ametek.com

USA / Canada

AMETEK CTS US › 52 Mayfield Ave › Edison › NJ 08837 › USA
Phone +1 732 417 0501
Internet: www.ametek-cts.com › E-mail: usasales.cts@ametek.com

P.R. China

AMETEK Commercial Enterprise (Shanghai) Co. Ltd. › Beijing Branch › Western Section, 2nd floor › Jing Dong Fang Building (B10) › Chaoyang District › Beijing, China, 100015
Phone +86 10 8526 2111 › Fax +86 (0)10 82 67 62 38
Internet: www.ametek-cts.com › E-mail: chinasales@ametek.com

Republic of Korea

EM TEST Korea Limited › #405 › WooYeon Plaza › #986-8 › YoungDeok-dong › Giheung-gu › Yongin-si › Gyeonggi-do › Korea
Phone +82 (31) 216 8616 › Fax +82 (31) 216 8616
Internet: www.emtest.co.kr › E-mail: sales@emtest.co.kr

Singapore

AMETEK Singapore Pte. Ltd › No. 43 Changi South Avenue 2 › 04-01 Singapore 48164
Internet: www.ametek-cts.com › E-mail: singaporesales.cts@ametek.com

Great Britain

AMETEK GB › 5 Ashville Way › Molly Millars Lane › Wokingham › Berkshire RG41 2 PL › Great Britain
Phone +44 845 074 0660
Internet: www.ametek-cts.com

Information about scope of delivery, visual design and technical data correspond with the state of development at time of release. Subject to change without further notice.