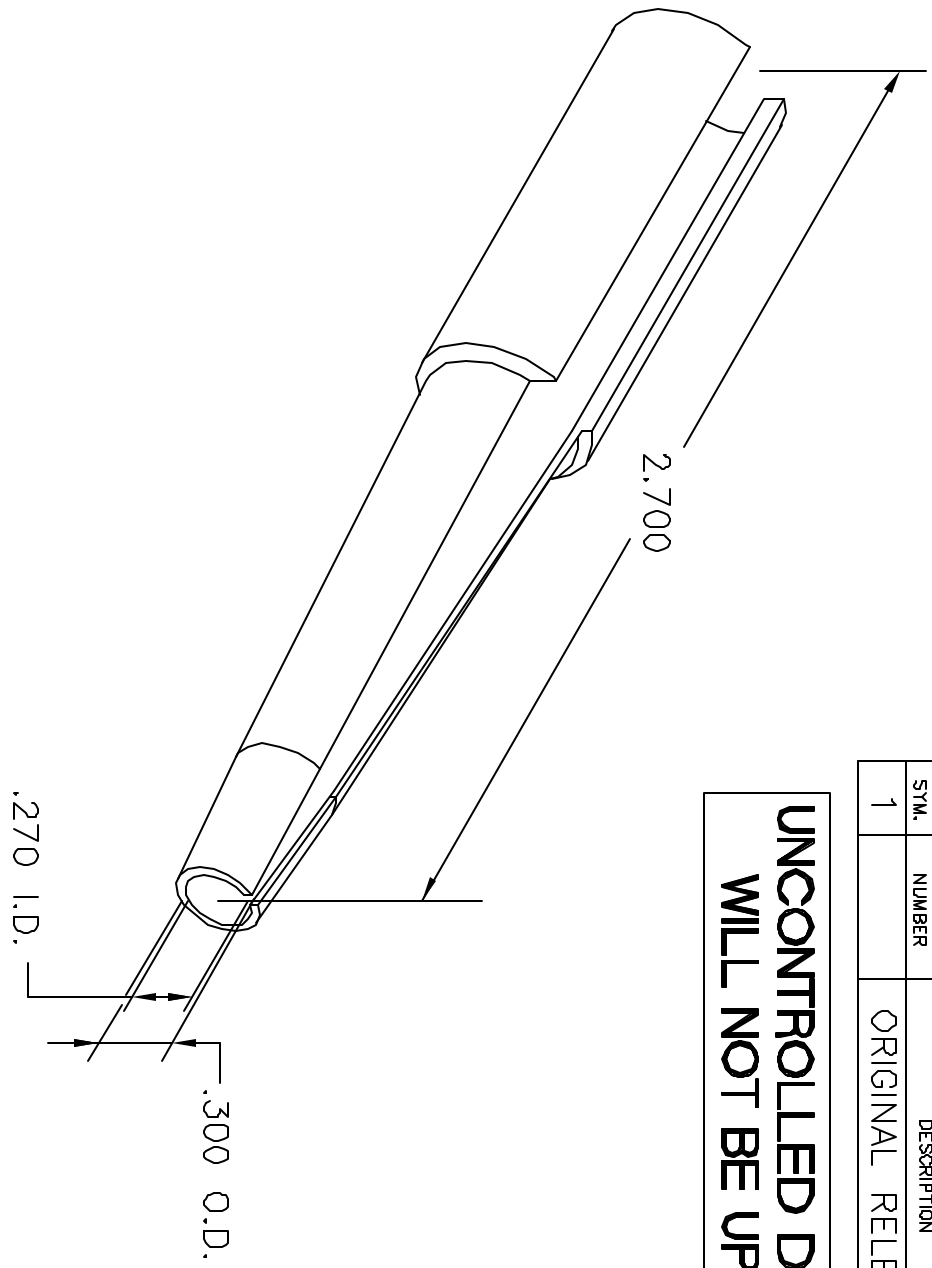


REVISIONS				
REV. SYM.	E.C.O. NUMBER	DESCRIPTION	BY DATE	APP'D DATE
1		ORIGINAL RELEASE	JS 11-28-89	DH 11-89

**UNCONTROLLED DOCUMENT
WILL NOT BE UPDATED**



MATERIAL	ITEM	PART NO.	QTY.	DESCRIPTION/REMARKS
	DRN. JS	DATE 11-28-89		DANIELS MANUFACTURING CORP. ORLANDO, FLORIDA CASE 11851
	CHK'D. DH	DATE 11-28-89		
	APP'D. AAM	DATE 11-28-89		
	APP'D.	DATE		
	HEAT TREAT			REMOVAL TOOL ENVELOPE DRAWING
	FINISH			WHERE USED: SIZE SCALE CAD P/N SHEET OF A NTS CET-C8-ENV 1 1 POSTING P/N CET-C8-ENV 1

RESTRICTED & CONFIDENTIAL
CONFIDENTIAL PROPERTY OF DANIELS MANUFACTURING CORP. NOT TO BE DISCLOSED TO OTHERS, REPRODUCED OR USED FOR ANY OTHER PURPOSE EXCEPT AS AUTHORIZED IN WRITING BY DANIELS MANUFACTURING. MUST BE RETURNED TO DANIELS MANUFACTURING CORP. ON COMPLETION OF ORDER OR OTHER PURPOSES FOR WHICH LENT.

DO NOT SCALE DRAWING