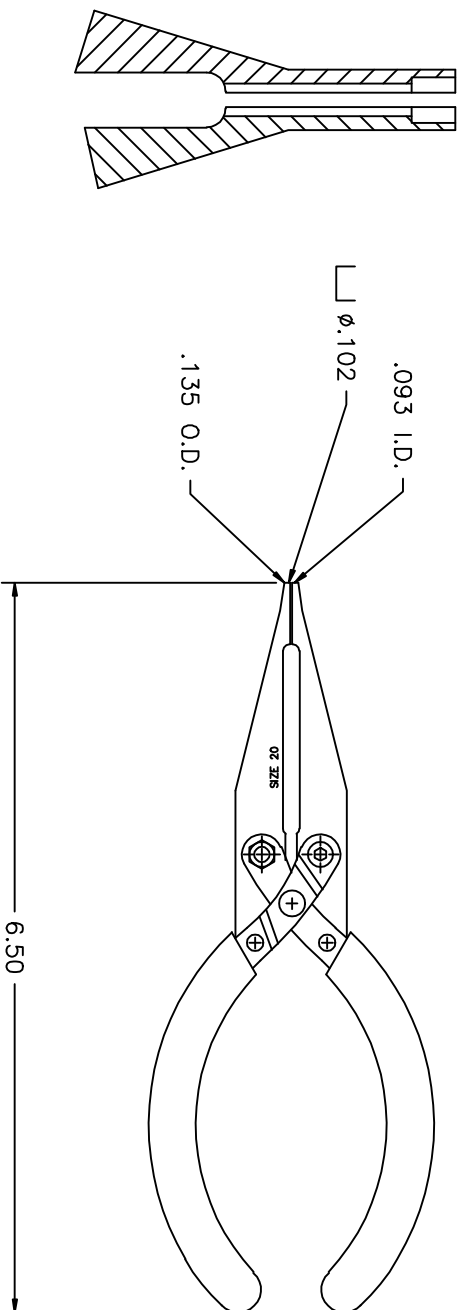


REVISIONS				
REV. SYM.	ECO. NUMBER	DESCRIPTION	BY DATE	APP'D DATE
1		ORIGINAL RELEASE	JMS 6/27/86	RRR 6/86
2	21481	"COMPARABLE TO" WAS "FUNCTIONAL EQUIVALENT" ADDED CUTAWAY VIEW	KOH 10/31/09	RRR 10/31/09



**UNCONTROLLED DOCUMENT
WILL NOT BE UPDATED**

RESTRICTED & CONFIDENTIAL		MATERIAL		HEAT TREAT		FINISH	
CONFIDENTIAL PROPERTY OF DANIELS MANUFACTURING CORP. NOT TO BE DISCLOSED TO OTHERS, REPRODUCED OR USED FOR ANY OTHER PURPOSE, EXCEPT AS AUTHORIZED IN WRITING BY DANIELS MANUFACTURING CORP. ON COMPLETION OF ORDER OR OTHER PURPOSE FOR WHICH LENT.							
ITEM	PART NO.	QTY.	DESCRIPTION/REMARKS				
DRW. JWS	DATE 6/27/86		DMC DANIELS MANUFACTURING CORP. ORLANDO, FLORIDA CAGE 11851				
CHK'D. MGS	DATE 7/17/86						
APP'D. KR	DATE 7/29/86						
NOTE: THIS DRAWING IS AN OUTLINE DRAWING OF THE RESPECTIVE INDICATED PART NUMBER. DIM PART NUMBER IS DRAWING NUMBER WITHOUT THE "-ENV" SUFFIX.							
DO NOT SCALE DRAWING		WHERE USED:		CAD FILE NO.		SHEET OF	
		SIZE		SCALE		1	
		B NTS		DAK288-20-ENV		1	
		POSTING		DAK288-20-ENV		2	

1. COMPARABLE TO: BENDIX 11-8107-20.

NOTES: