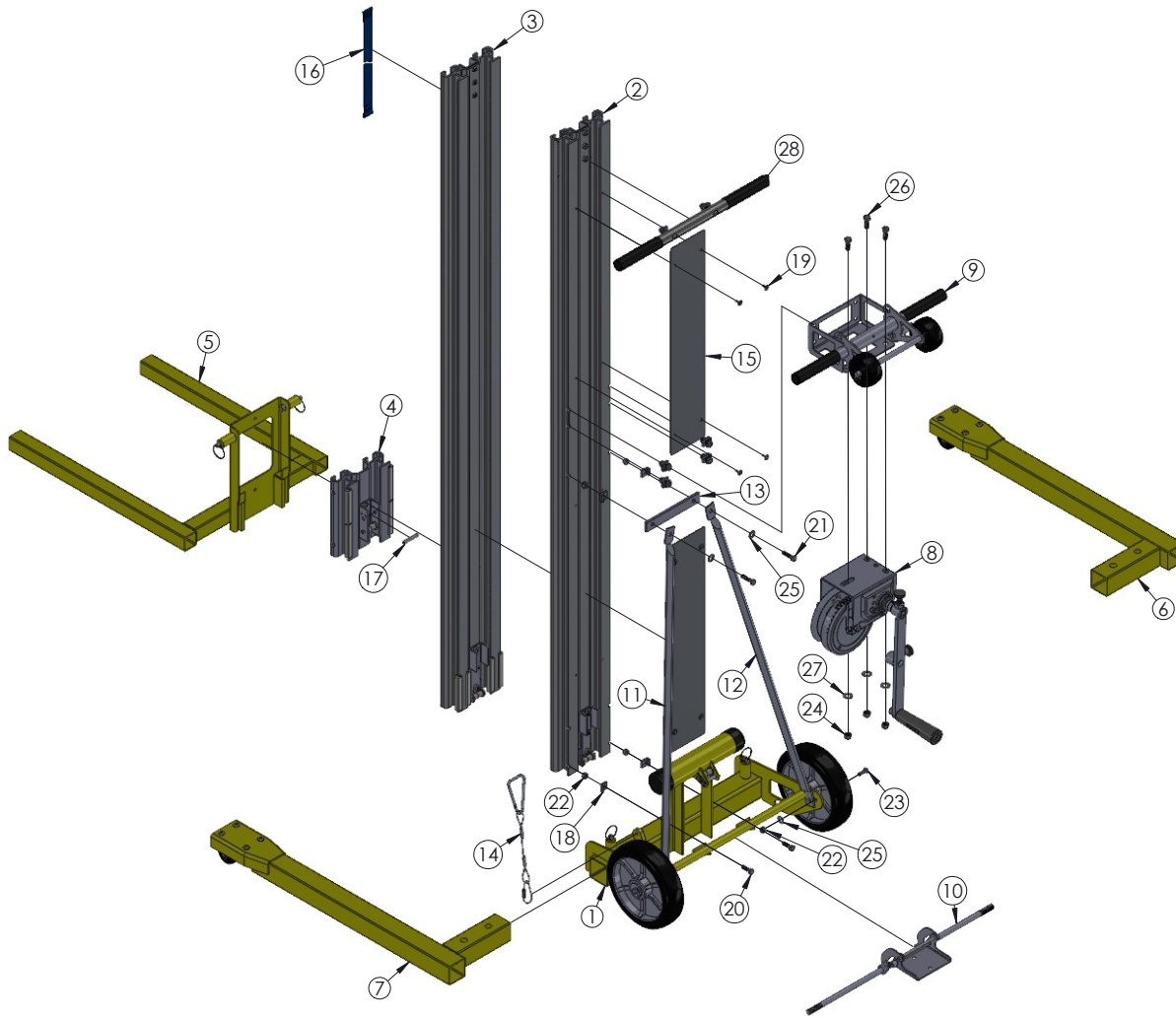
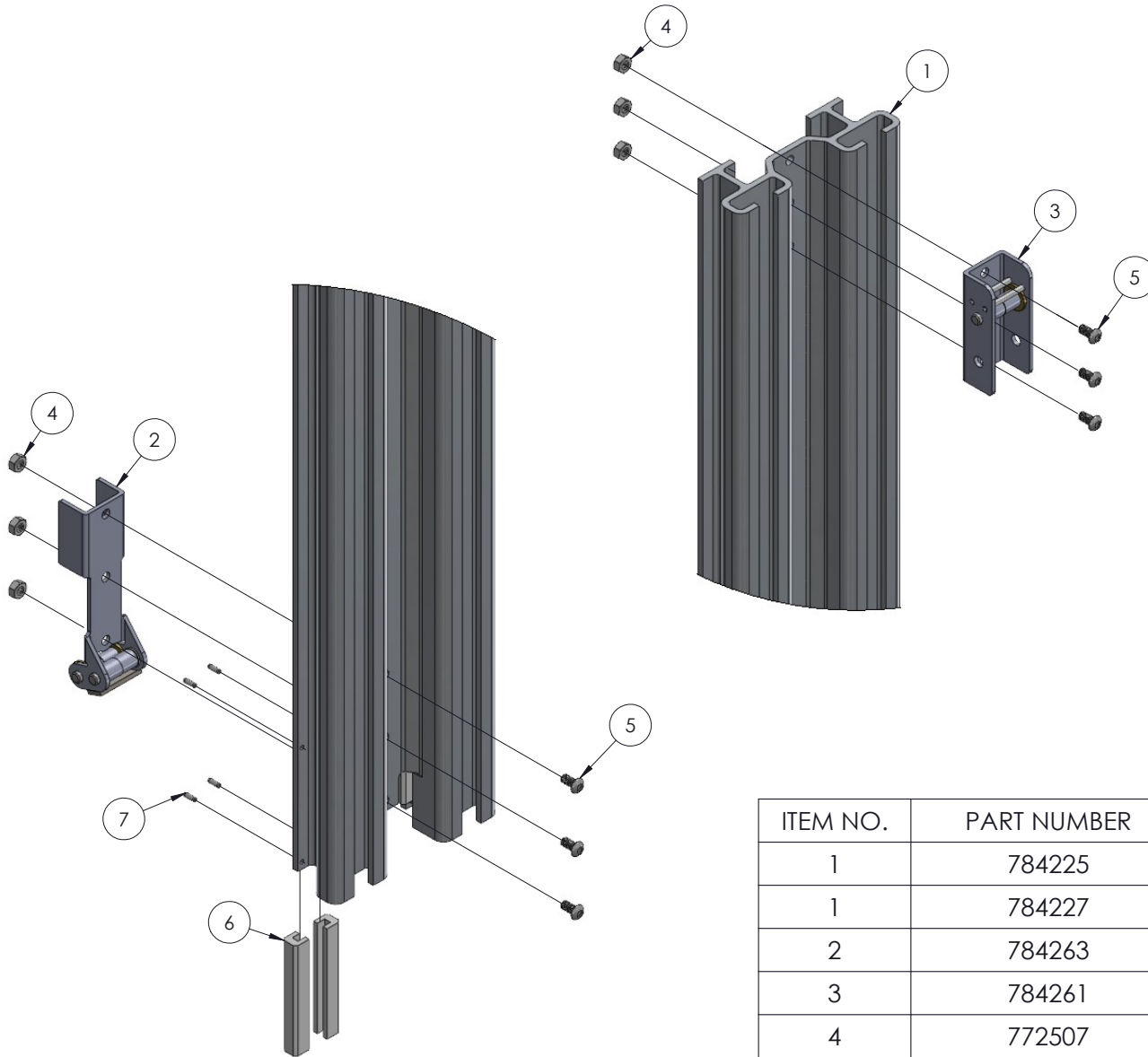


SERIES 2200 LIFT ASSEMBLY



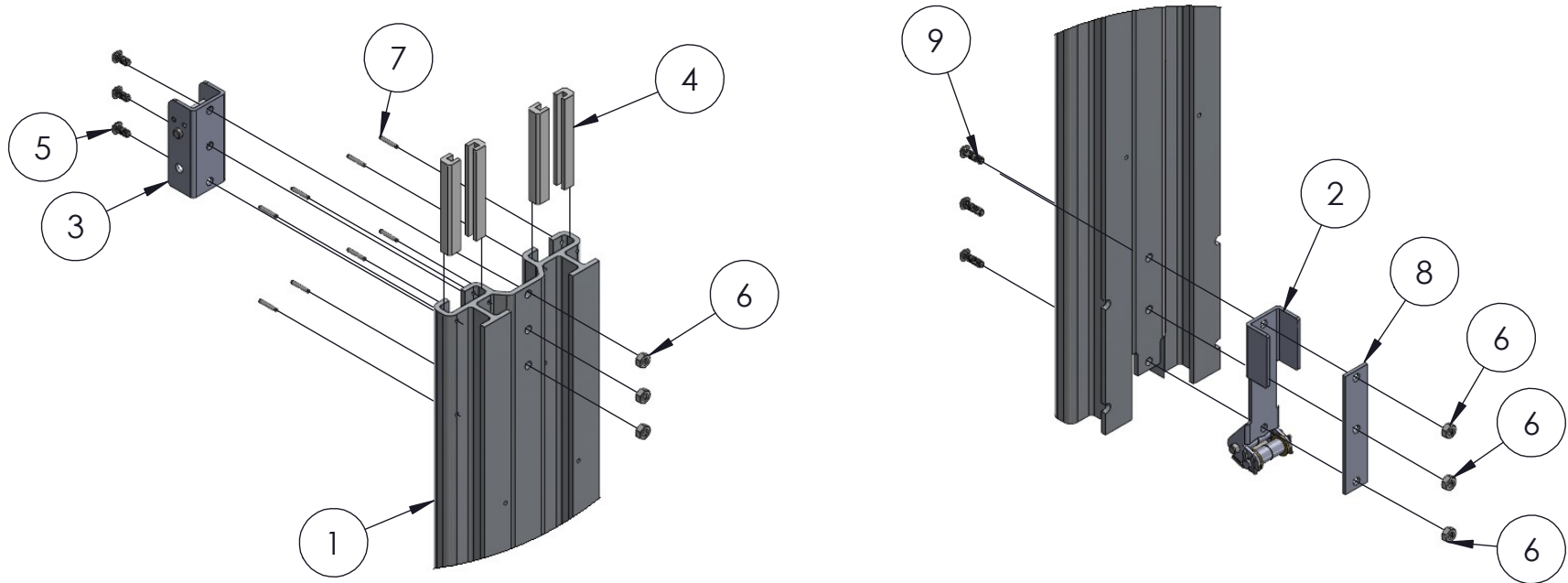
ITEM NO.	PART NUMBER	DESCRIPTION	QTY.
1	784220	BASE ASSEMBLY, 2200 LIFT	1
2	784267	BOTTOM MAST ASSEMBLY, 2210	1
2	784275	BOTTOM MAST ASSEMBLY, 2208	1
3	784276	TOP MAST ASSEMBLY, 2208	1
3	784300	TOP MAST ASSEMBLY, 2210	1
4	784277	CARRIAGE ASSEMBLY, 2200	1
5	784250	FORK ASSEMBLY, 2200 SERIES	1
6	784268	LEG ASSEMBLY, RIGHT	1
7	784269	LEG ASSEMBLY, LEFT	1
8	784290	WINCH ASSEMBLY	1
9	784291	WINCH MOUNT ASSEMBLY, 2200	1
10	784218	BRAKE KIT, 2200 LIFT	1
11	784251	MAST BRACE (LEFT) 2200 LIFT	1
12	784252	MAST BRACE (RIGHT) 2200 LIFT	1
13	784260	MAST BRACE STRAP	1
14	784281	MAST HOLD DOWN ASSEMBLY, 2200	1
15	784744	MAST COVER - BOTTOM 2200 LIFT	2
16	779241	LIFTING STRAP, 2208 LIFT - 27 FT	1
16	779240	LIFTING STRAP, 2210 LIFT - 32 FT	1
17	774117	PIN, DOWEL 5/16 X 1 3/4"	1
18	773120	CLAMP, 5/16	10
19	776055	SCREW, SM #8 X 3/4 SELF TAPPING	8
20	771052	SCREW, HHC 5/16-18 X 1 PLTD	8
21	771053	SCREW, HHC 5/16-18 X 1 1/4 PLTD	2
22	772502	NUT, INSERT JAM 5/16-18	12
23	771239	SCREW, BHC 5/16-18 X 7/8"	2
24	772355	NUT, INSERT LOCK 3/8-16	3
25	773042	WASHER, FLAT 5/16	8
26	771107	SCREW, HHC 3/8-16 X 1	3
27	773040	WASHER, FLAT 3/8	3
28	784282	TOP HANDLE ASSEMBLY 2400 (ONLY ON THE 2208)	1

TOP MAST ASSEMBLY



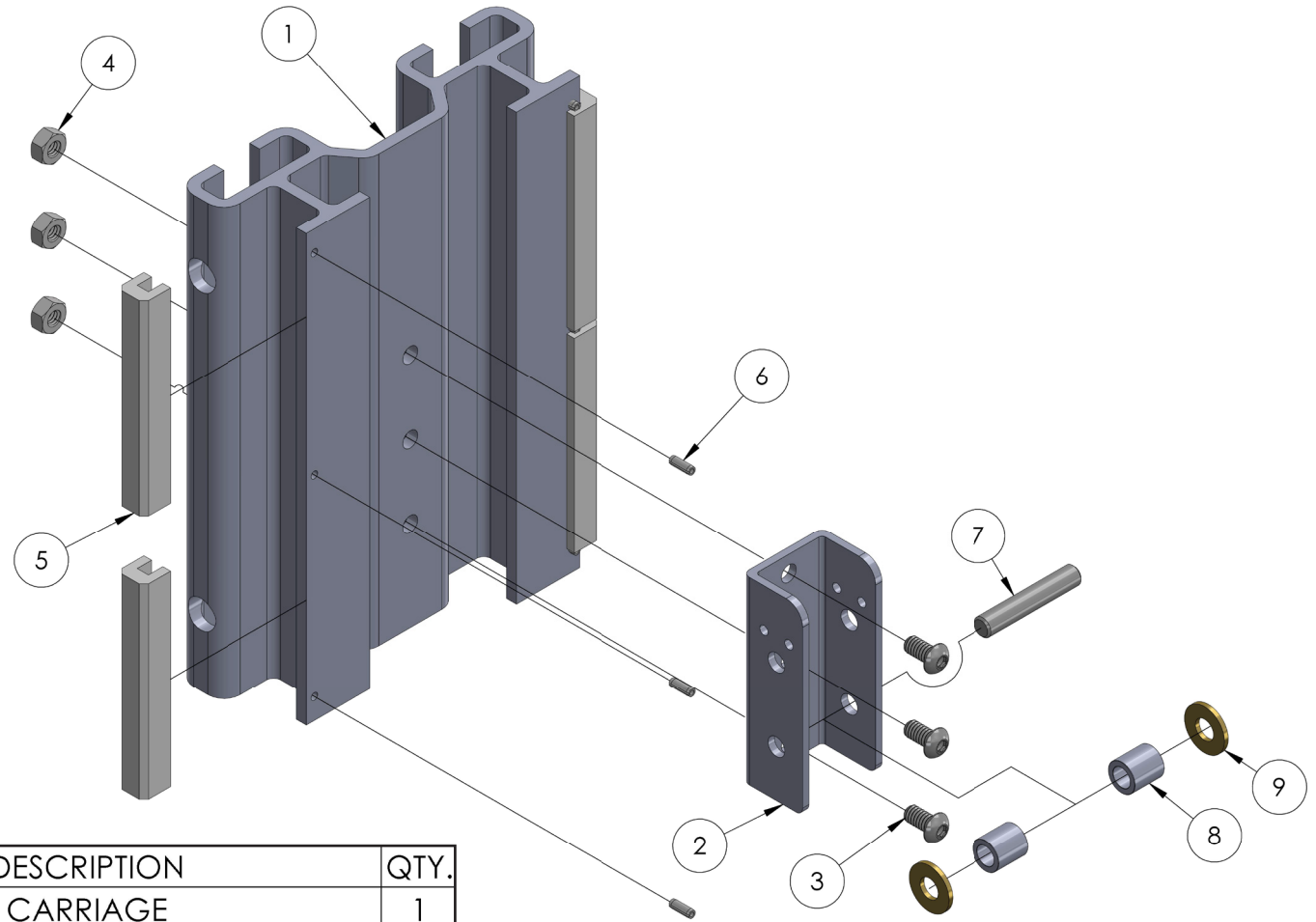
ITEM NO.	PART NUMBER	DESCRIPTION	QTY.
1	784225	TOP MAST (55") (2208 ONLY)	1
1	784227	TOP MAST (67") (2210 ONLY)	1
2	784263	TOP MAST ROLLER ASSEMBLY	1
3	784261	UPPER ROLLER ASSEMBLY	1
4	772507	1/4-20 INSERT JAM LOCK NUT	6
5	771045	SCREW, BHC 1/4-20 X 0.5"	6
6	784201	SLIDE	4
7	774116	PIN ROLL 1/8 X 3/8" LN	8

BOTTOM MAST ASSEMBLY



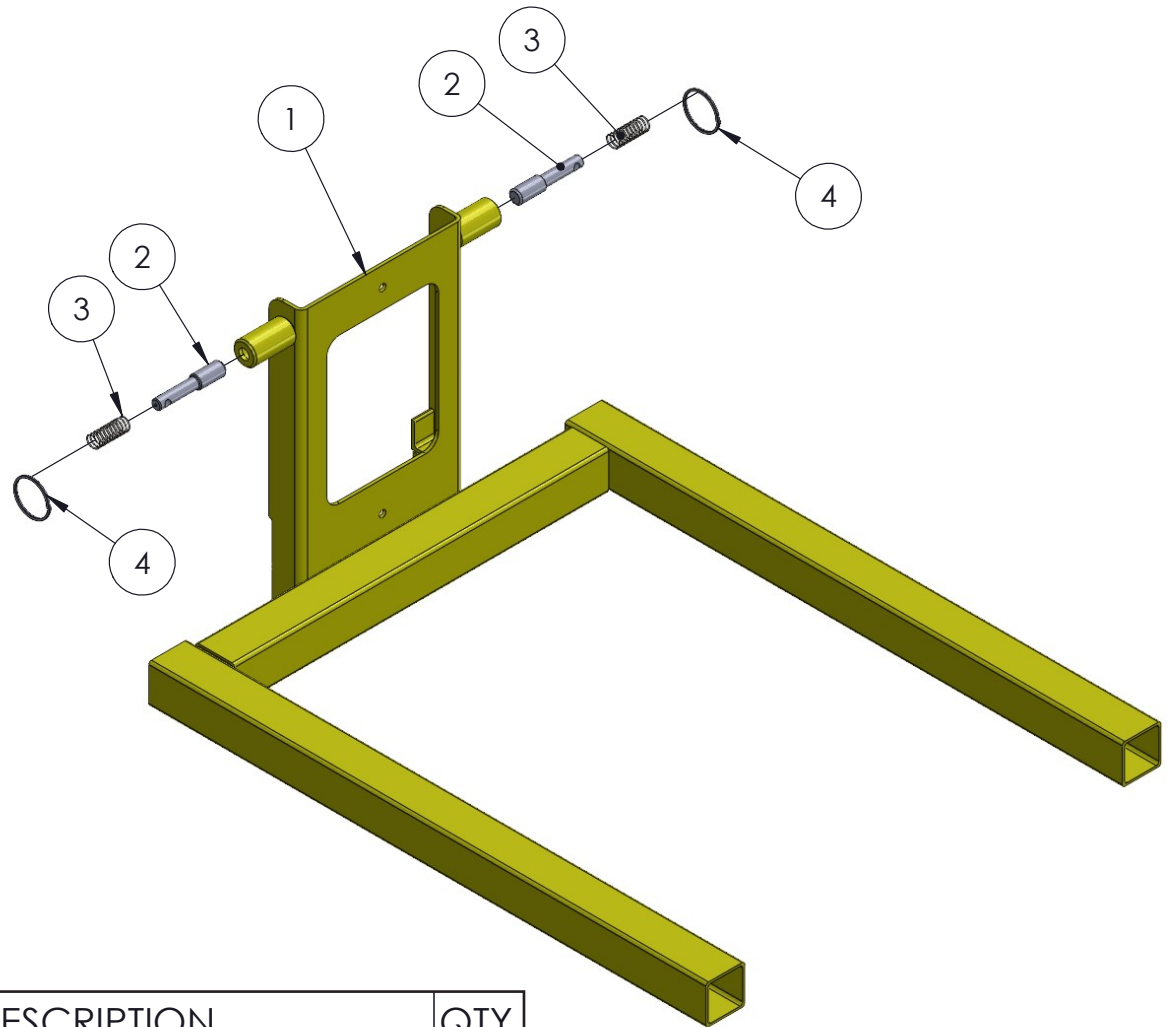
ITEM NO.	PART NUMBER	DESCRIPTION	QTY.
1	784224	BOTTOM MAST 55" (2208 ONLY)	1
1	784226	BOTTOM MAST 67" (2210 ONLY)	1
2	784262	BOTTOM MAST LOWER ROLLER ASSY	1
3	784261	UPPER ROLLER ASSEMBLY	1
4	784201	SLIDE	4
5	771045	SCREW, BHC 1/4-20 X 0.5"	3
6	772507	1/4-20 INSERT JAM LOCK NUT	6
7	774115	0.125 ROLL PIN 0.75" LN	8
8	784274	BOTTOM ROLLER BRACKET SUPPORT	1
9	771046	SCREW, BHSC 1/4-20 X 0.75"	3

CARRIAGE ASSEMBLY



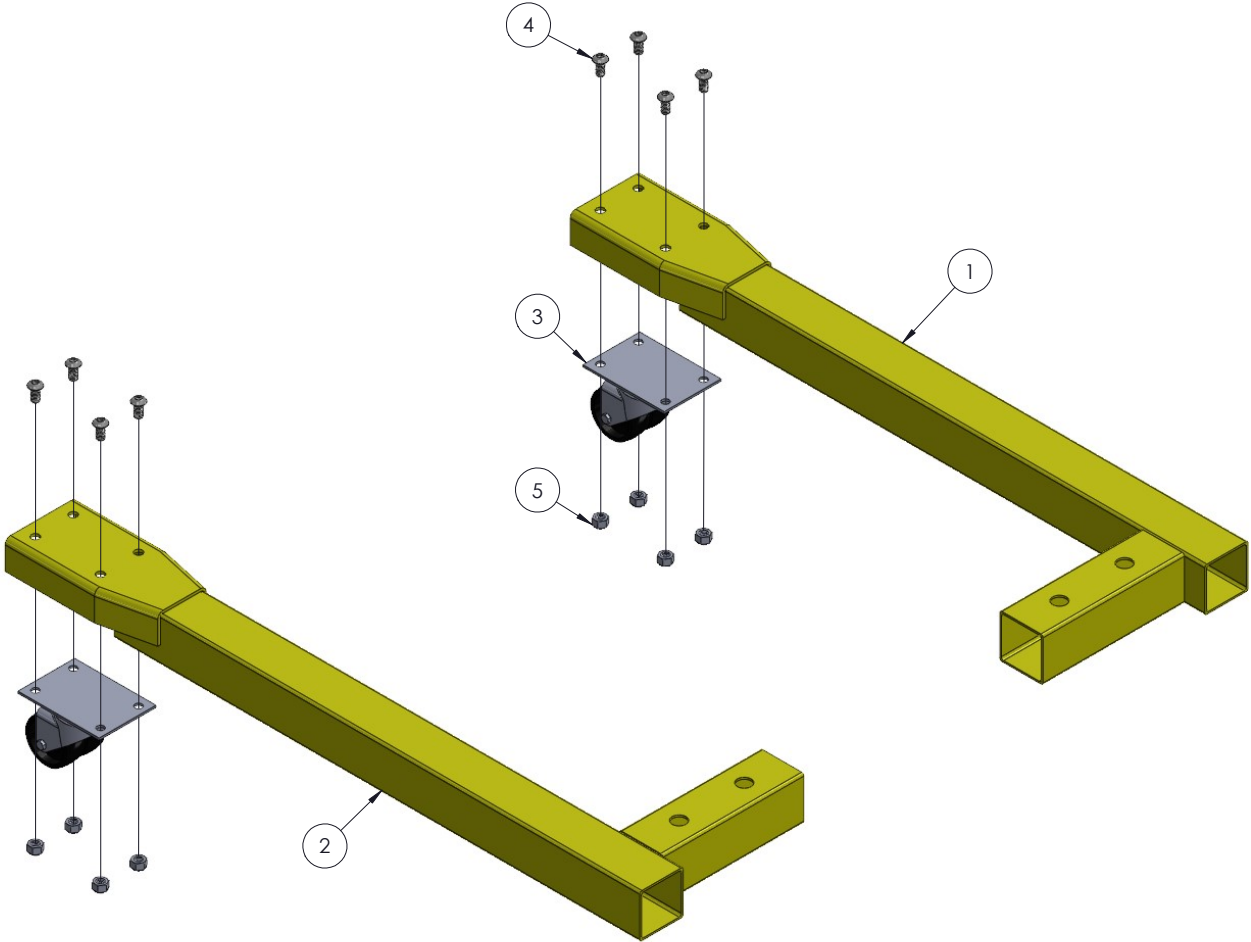
ITEM NO.	PART NUMBER	DESCRIPTION	QTY.
1	784231	CARRIAGE	1
2	784207	TOP ROLLER BRACKET, 2200	1
3	771045	BHCS 1/4-20 X 1/2	3
4	772507	1/4-20 INSERT JAM LOCK NUT	3
5	784201	SLIDE	4
6	774116	PIN ROLL 1/8 X 3/8" LN	6
7	774117	PIN, DOWEL 5/16 X 1 3/4"	1
8	775065	BEARING	2
9	773015	5/16 BRASS WASHER	2

FORK WELDMENT ASSEMBLY



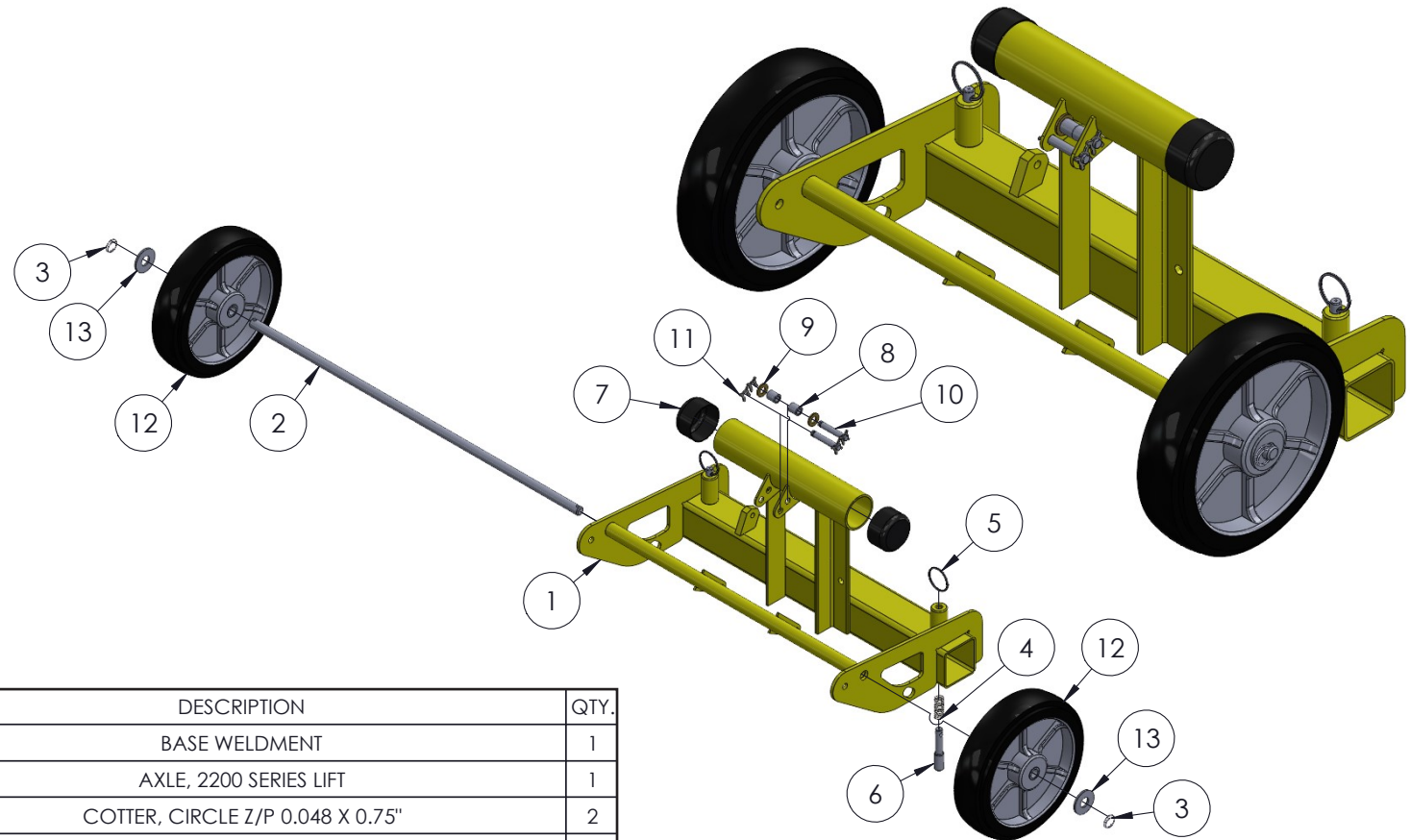
ITEM NO.	PART NUMBER	DESCRIPTION	QTY.
1	784245	FORK WELDMENT, 2200 SERIES	1
2	782510	PLUNGER	2
3	776212	SPRING, #C0480-042-1250-M	2
4	775110	SPLIT RING 1-1/4" NICKEL PLATED	2

LEG WELDMENT ASSEMBLY



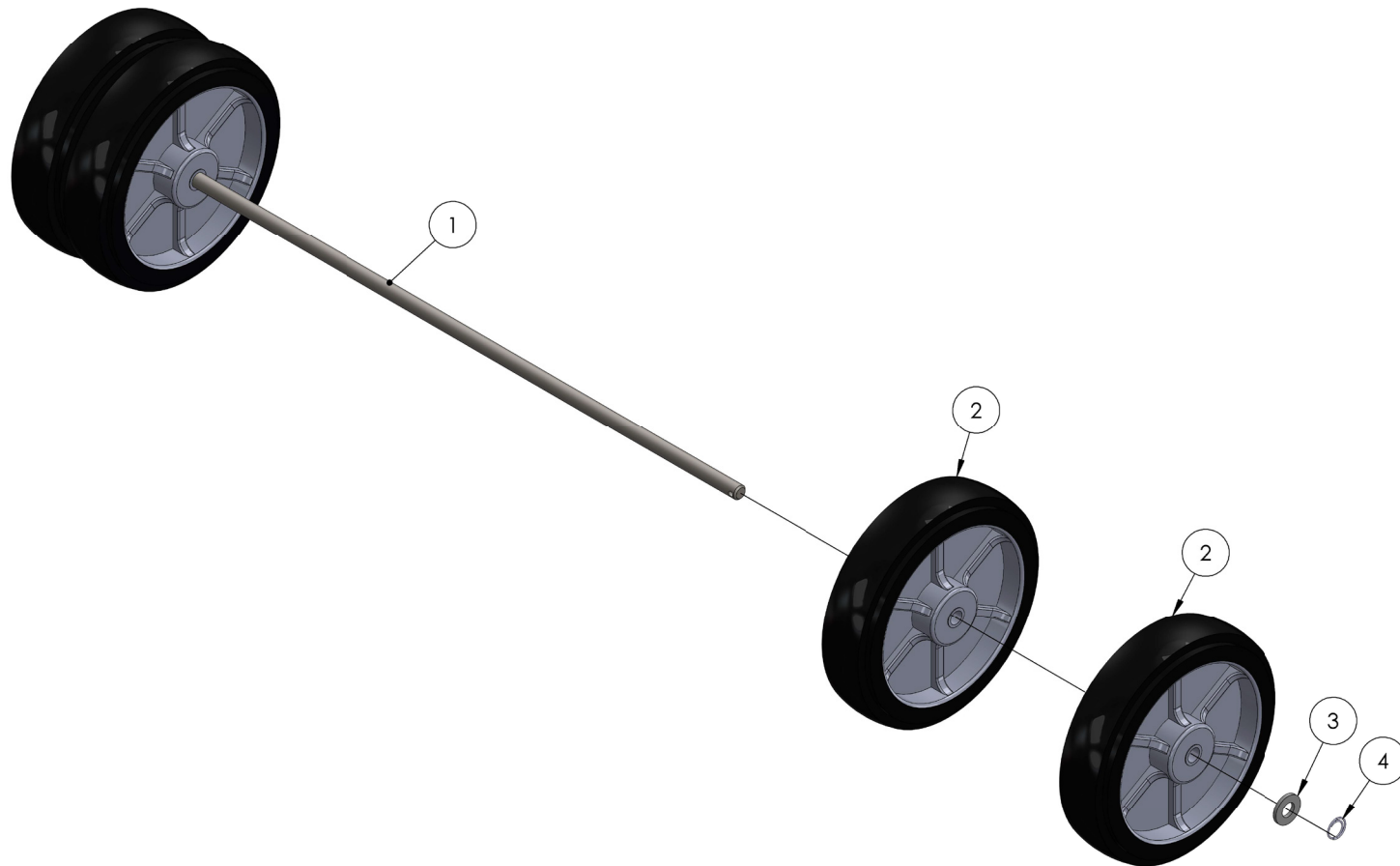
ITEM NO.	PART NUMBER	DESCRIPTION	QTY.
1	784254	LEG WELDMENT, RIGHT 2200 LIFT	1
2	784253	LEG WELDMENT, LEFT 2200 LIFT	1
3	779030	2" SWIVEL CASTER	2
4	771049	SCREW, BHC 5/16-18 X .625"LN	8
5	772502	NUT, INSERT JAM 5/16-18	8

BASE WELDMENT ASSEMBLY



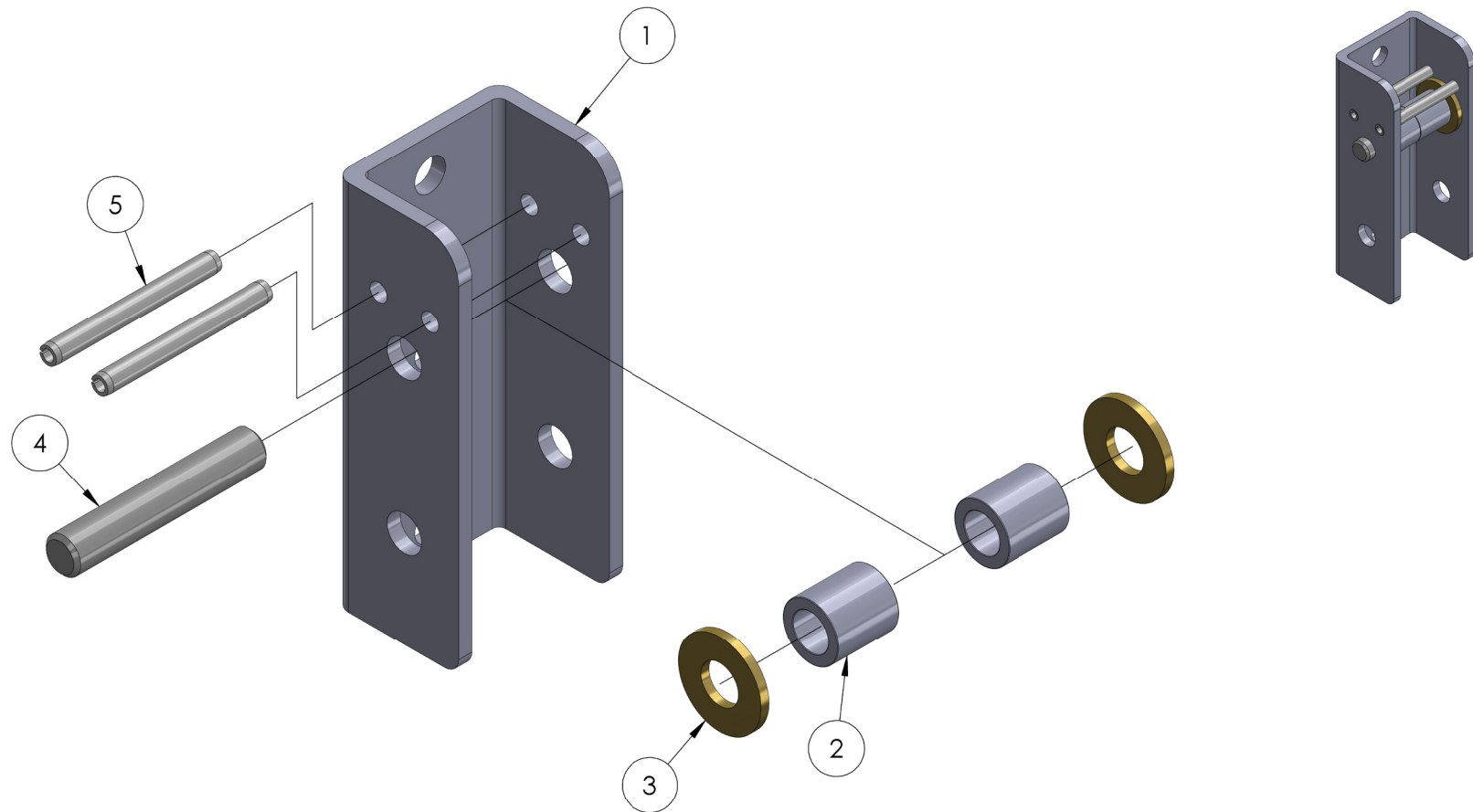
ITEM NO.	PART NUMBER	DESCRIPTION	QTY.
1	784206	BASE WELDMENT	1
2	784221	AXLE, 2200 SERIES LIFT	1
3	774053	COTTER, CIRCLE Z/P 0.048 X 0.75"	2
4	776212	SPRING, #C0480-042-1250-M	2
5	775110	SPLIT RING 1-1/4" NICKEL PLATED	2
6	782510	PLUNGER	2
7	779905	CAP, 2" OD TUBE, BLACK	2
8	775065	BEARING	2
9	773015	5/16 BRASS WASHER	2
10	784273	GROOVED PIN	2
11	776084	RETAINING RING 'X'	4
12	779031	WHEEL, 8" THERMOPLASTIC GRAY	2
13	773060	WASHER, FLAT 1/2 USS	2

DUAL WHEEL KIT ASSEMBLY



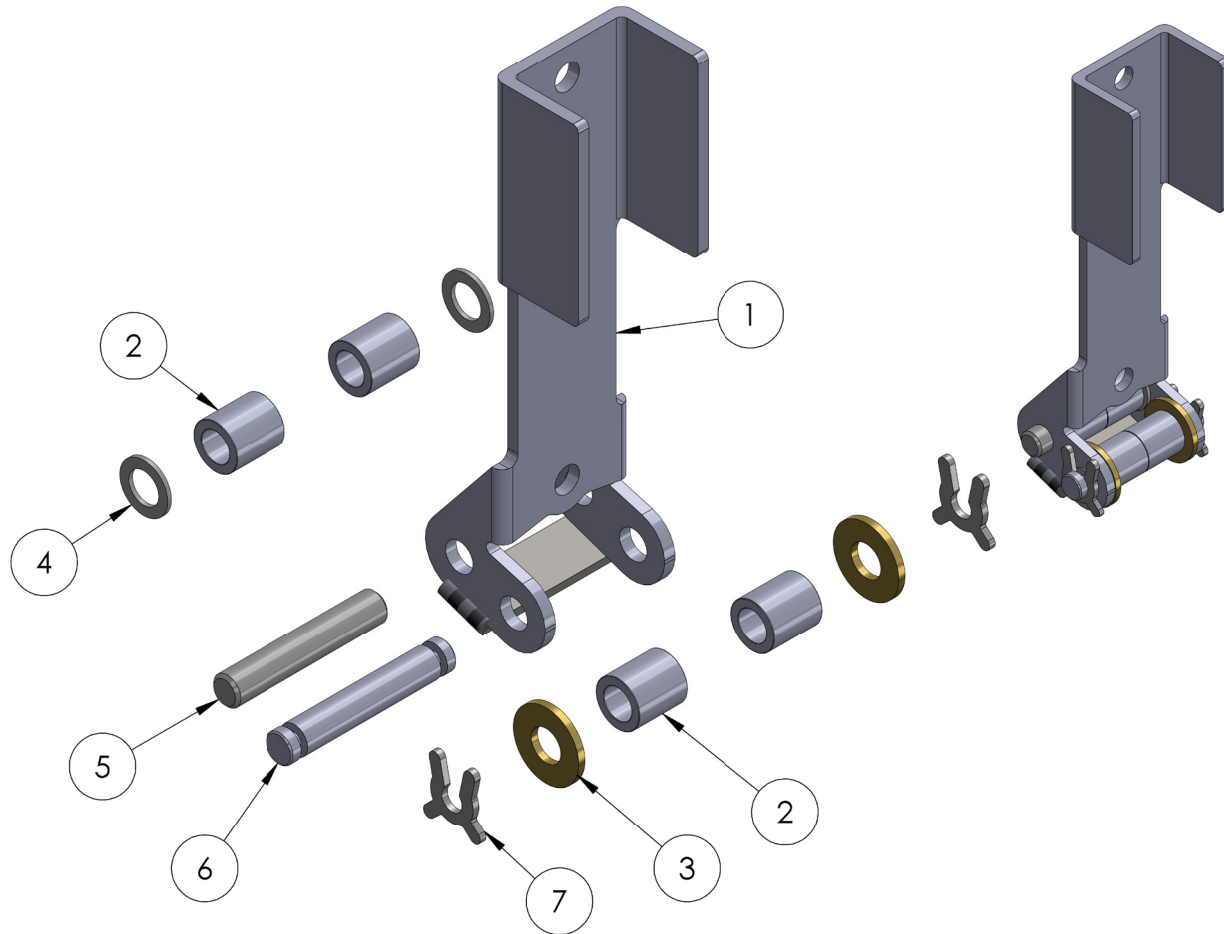
ITEM NO.	PART NUMBER	DESCRIPTION	QTY.
1	784233	AXLE DUAL WHEEL	1
2	779031	WHEEL, 8" THERMOPLASTIC GRAY	4
3	773094	WASHER, FLAT 1/2 SAE	2
4	774053	COTTER, CIRCLE Z/P 0.048 X 0.75"	2

UPPER ROLLER BRACKET ASSEMBLY



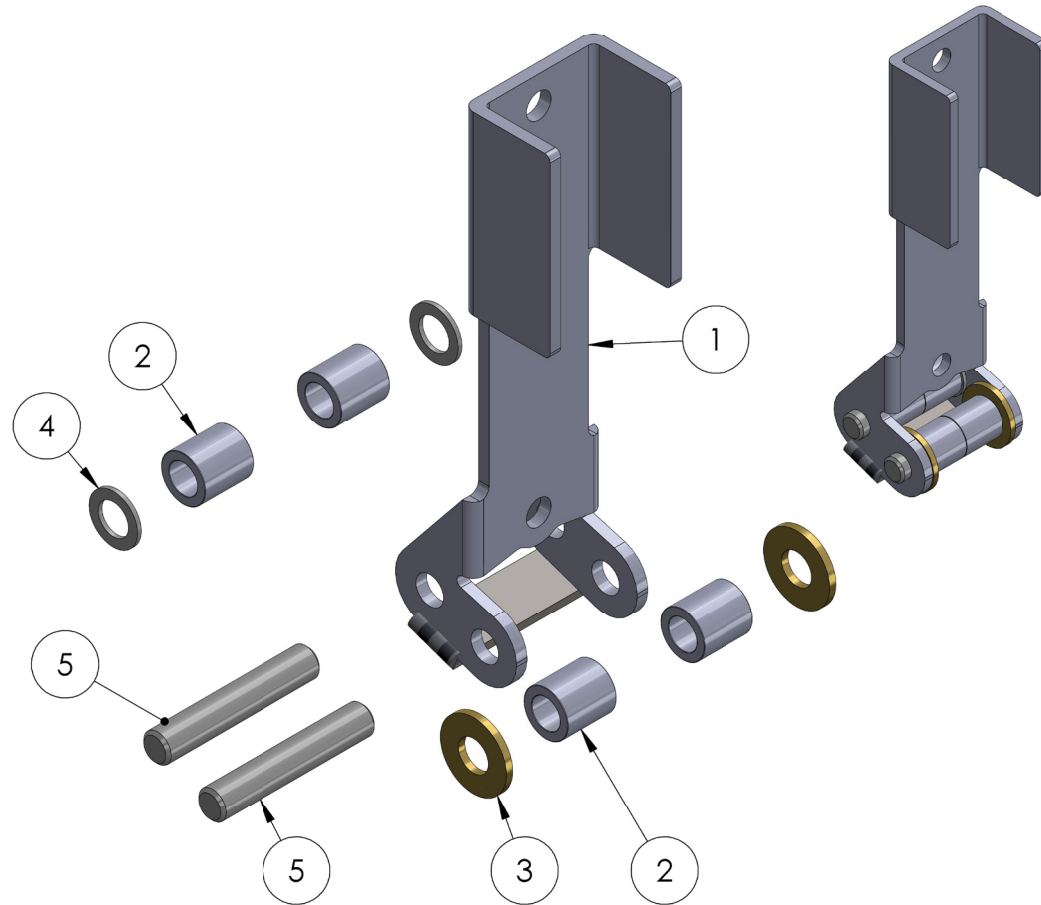
ITEM NO.	PART NUMBER	DESCRIPTION	QTY.
1	784207	TOP ROLLER BRACKET, 2200	1
2	775065	BEARING	2
3	773015	5/16 BRASS WASHER	2
4	774117	PIN, DOWEL 5/16 X 1 3/4"	1
5	774118	PIN, ROLL 5/32 X 1 1/2"	2

LOWER ROLLER BRACKET ASSEMBLY BOTTOM MAST



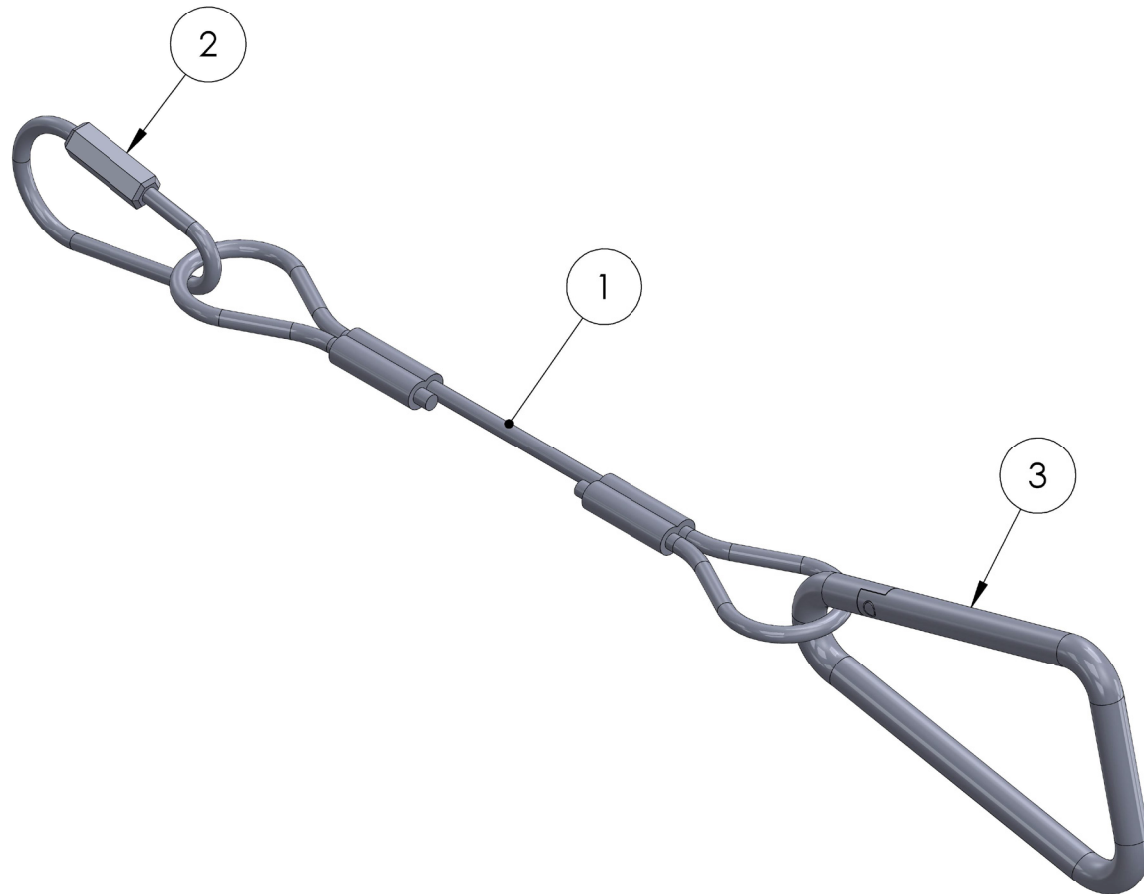
ITEM NO.	PART NUMBER	DESCRIPTION	QTY.
1	784237	LOWER ROLLER BRKT WELDMENT	1
2	775065	BEARING	4
3	773015	5/16 BRASS WASHER	2
4	773016	WASHER, FLAT 5/16 TYPE B NARROW	2
5	774117	PIN, DOWEL 5/16 X 1 3/4"	1
6	784273	GROOVED PIN	1
7	776084	RETAINING RING 'X'	2

LOWER ROLLER BRACKET ASSEMBLY TOP MAST



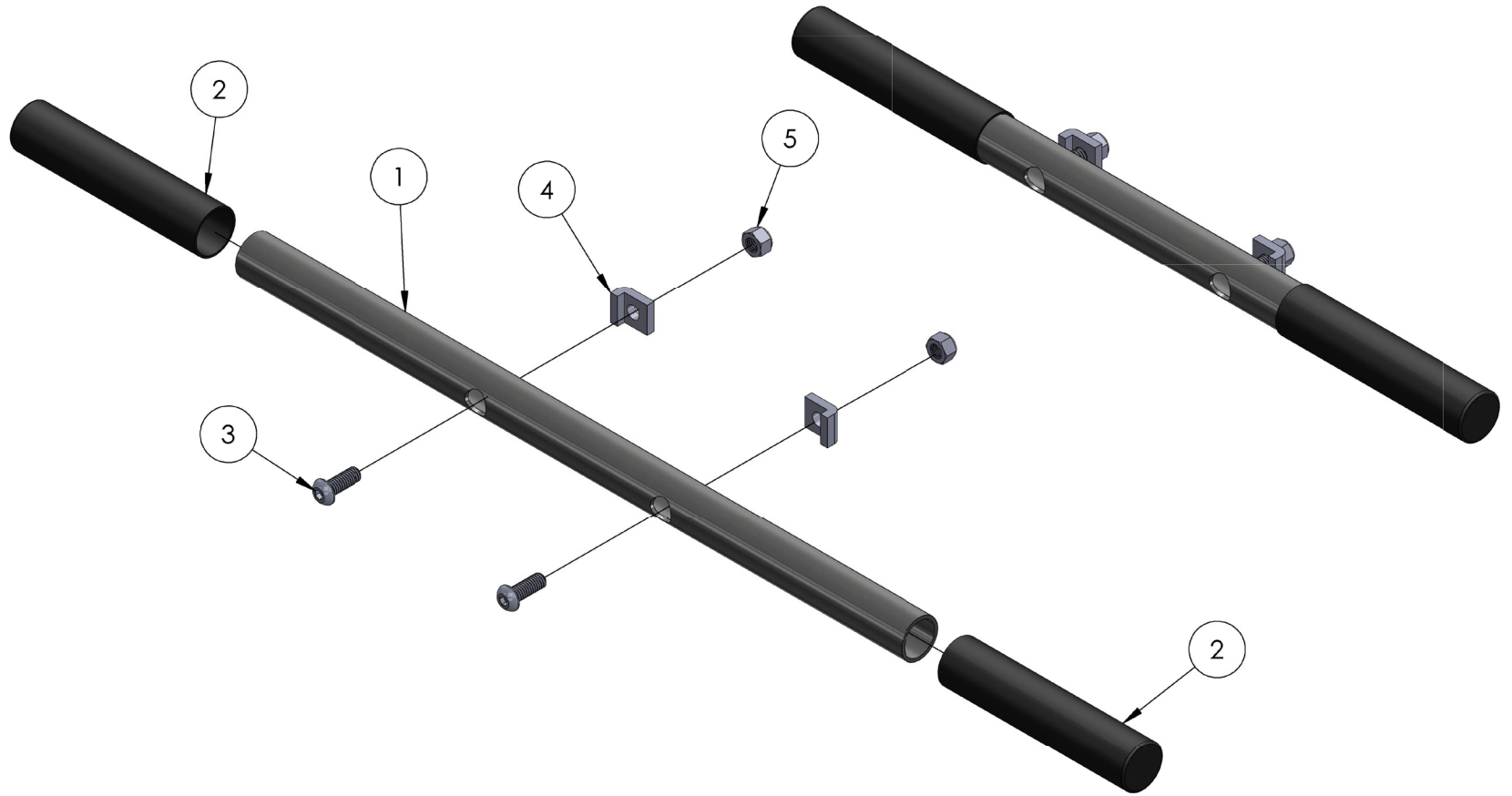
ITEM NO.	PART NUMBER	DESCRIPTION	QTY.
1	784237	LOWER ROLLER BRKT WELDMENT	1
2	775065	BEARING	4
3	773015	5/16 BRASS WASHER	2
4	773016	WASHER, FLAT 5/16 TYPE B NARROW	2
5	774117	PIN, DOWEL 5/16 X 1 3/4"	2

MAST HOLD DOWN ASSEMBLY



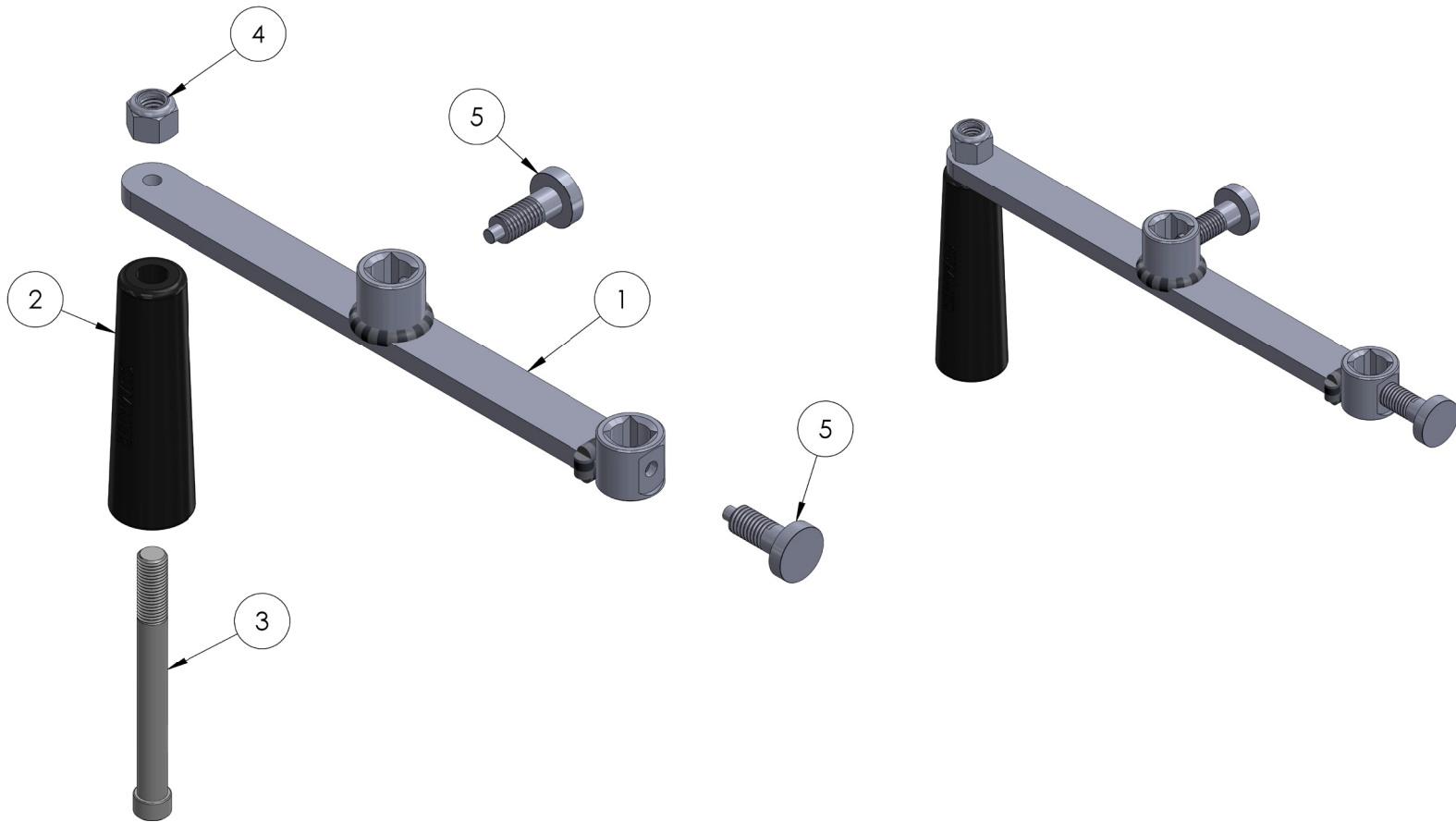
ITEM NO.	PART NUMBER	DESCRIPTION	QTY.
1	774195	MAST HOLD DOWN (LANYARD)	1
2	779317	RAPID LINK, PEAR SHAPED -1/8"	1
3	779318	SPRING SNAP - 1/4"	1

TOP HANDLE ASSEMBLY



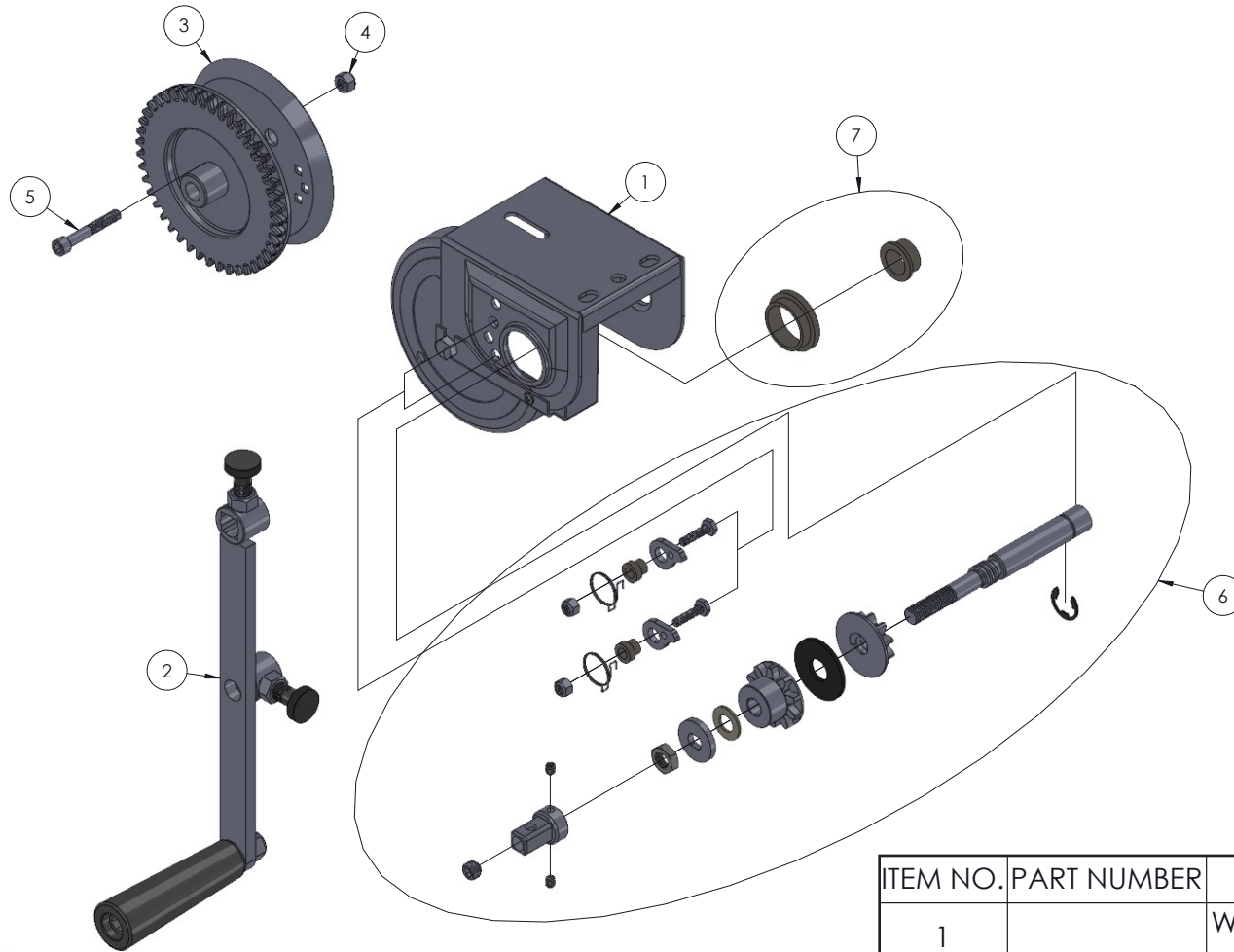
ITEM NO.	PART NUMBER	DESCRIPTION	QTY.
1	784280	TOP HANDLE, 2200 LIFT	1
2	779527	HAND GRIP 1" X 5"LN	2
3	771239	SCREW, BHC 5/16-18 X 7/8"	2
4	773120	CLAMP, 5/16	2
5	772502	NUT, INSERT JAM 5/16-18	2

WINCH HANDLE ASSEMBLY



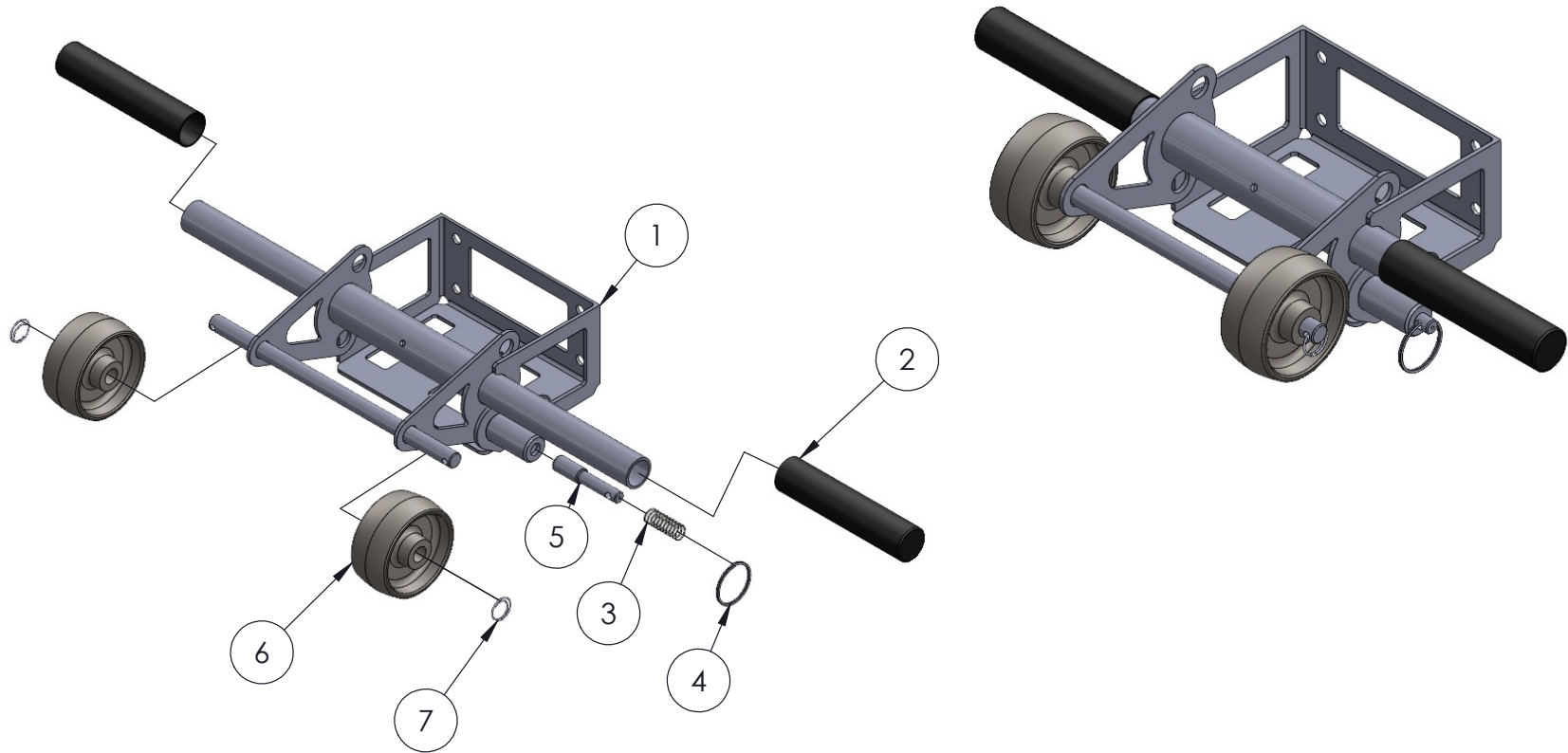
ITEM NO.	PART NUMBER	DESCRIPTION	QTY.
1	784286	WINCH HANDLE WELDMENT	1
2	780182	WINCH HANDLE SLEEVE	1
3	771253	SCREW, SH 1/2-13 X 4.75	1
4	772358	NUT, INSERT JAM 1/2 -13	1
5	774180	SPRING PLUNGER,M 1/4 DIA.	2

WINCH ASSEMBLY



ITEM NO.	PART NUMBER	DESCRIPTION	QTY.
1		WINCH, 4.1:1 RATIONWINCH COVER (NOT FOR SALE)	
2	784289	WINCH HANDLE ASSEMBLY, 2300	1
3	784288	WINCH DRUM MACHINING	1
4	772502	NUT, INSERT JAM 5/16-18	1
5	771227	SCREW, SHC 5/16-18 X 2"	1
6	784842	WINCH ONE HANDLE REPLACEMENT KIT	1
7	785958	WINCH HOUSING BEARING, 2400 LIFT	1

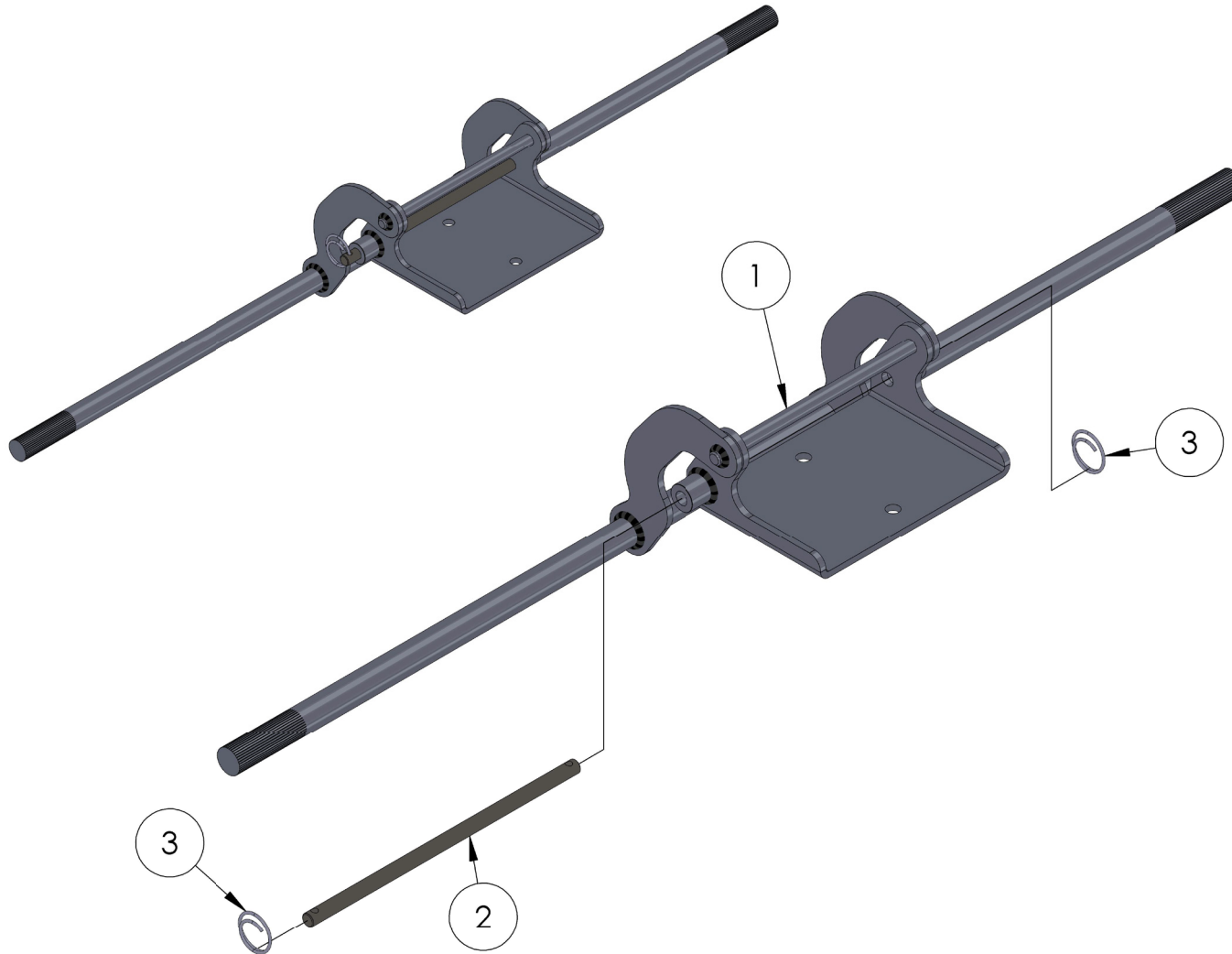
WINCH MOUNT ASSEMBLY



QTY.

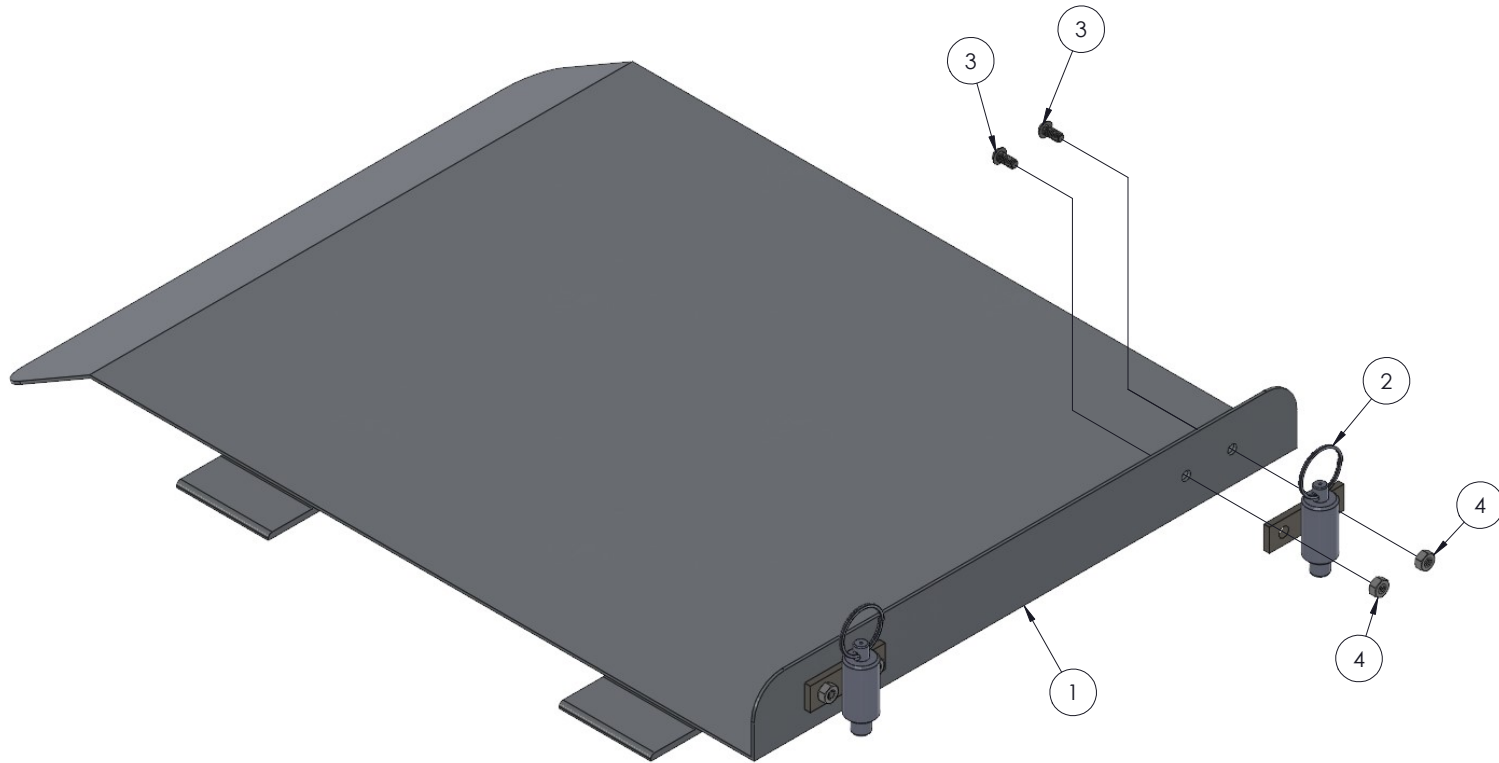
ITEM NO.	PART NUMBER	DESCRIPTION	QTY.
1	784292	WINCH MOUNT BOX WELDMENT	1
2	779527	HAND GRIP 1" X 5"LN	2
3	776212	SPRING, #C0480-042-1250-M	1
4	775110	SPLIT RING 1-1/4" NICKEL PLATED	1
5	782510	PLUNGER	1
6	779012	WHEEL, POLYOLEFIN 3"	2
7	774053	COTTER, CIRCLE Z/P 0.048 X 0.75"	2

BRAKE ASSEMBLY



ITEM NO.	PART NUMBER	DESCRIPTION	QTY.
1	784219	BRAKE WELDMENT	1
2	784216	BRAKE MOUNT PIN	1
3	774053	COTTER, CIRCLE Z/P 0.048 X 0.75"	2

ALUMINUM TRAY ASSEMBLY



ITEM NO.	PART NUMBER	DESCRIPTION	QTY.
1	784239	ALUMINUM TRAY WELDMENT	1
2	784302	ALUMINUM TRAY PLUNGER ASSEMBLY	2
3	771045	SCREW, BHC 1/4-20 X 0.5"	4
4	772507	1/4-20 INSERT JAM LOCK NUT	4