



ATRIX INTERNATIONAL
INCORPORATED

BIOCIDE

ANTIMICROBIAL DRY VACUUM



Model: ATIBCV

IMPORTANT SAFETY INSTRUCTIONS

When using an electrical appliance, basic precaution must always be followed, including the following:

READ ALL INSTRUCTIONS BEFORE USING THIS MACHINE.

This machine is for commercial use.

WARNING



DANGER: Failure to read and observe all DANGER statements could result in severe bodily injury or death. Read and observe all DANGER statements found in your Owner's Manual and on your machine.



WARNING: Failure to read and observe all WARNING statements could result in injury to you or to other personnel; property damage could occur as well. Read and observe all WARNING statements found in your Owner's Manual and on your machine.



CAUTION: Failure to read and observe all CAUTION statements could result in damage to the machine or to other property. Read and observe all CAUTION statements found in your Owner's Manual and your machine.



DANGER: Failure to read the Owner's Manual prior to operating or attempting any service or maintenance procedure to your machine could result in injury to you or to other personnel; damage to the machine or to other property could result as well. You must have training in the operation of this machine before using it. If you or your operator(s) cannot read English, have this manual explained fully before attempting to operate this machine.



DANGER: Operating a machine that is not completely or fully assembled could result in injury or property damage. Do not operate this machine until it is completely assembled. Inspect the machine carefully before operation. Use only as described in this manual. Use only the manufacturer's recommended attachments.



DANGER: Machines can cause an explosion when operated near flammable materials and vapors. Do not use this machine with or near fuels, grain dust, solvents, thinners, or other flammable materials.



DANGER: Do not pick up flammable fluids, dust or vapors.



DANGER: Do not vacuum anything that is burning or smoking, such as cigarettes, matches, or hot ashes.



DANGER: This machine is suitable for picking up health endangering dust with all filters in place properly.



DANGER: Using a machine with a damaged power cord could result in an electrocution. Do not use the machine if the power cord is damaged. Do not use the electrical cord to move the machine. Keep cord away from heated surfaces. Do not unplug by pulling on the cord; grasp the plug, not the cord. Turn off all controls before unplugging. Do not close a door on cord or pull around sharp edges or corners.



DANGER: Electrocution could occur if maintenance and repairs are performed on a unit that is not properly disconnected from the power source. Disconnect the power supply before attempting any maintenance or service.



Warning: Operating a machine without observing all labels, decals, etc., could result in injury or damage. Read all machine labels before attempting to operate the machine. Make sure all of the labels are attached or fastened to the machine. Get replacement labels and decals from the manufacturer's distributor.



Warning: Electrical components can "short-out" if exposed to water or moisture. Keep the electrical components of the machine dry. Always store the machine in a dry area.



Warning: Use of this machine to move other objects or to climb on could result in injury to the operator or damage to the machine. Do not use this machine as a step or furniture. Do not allow to be used as a toy. Close attention is necessary when used by or near children.



Warning: Moving parts of this machine can cause injury and/or damage. Keep hands, feet, loose clothing, hair, fingers, and all parts of the body away from openings and moving parts.



Warning: Electrocutation could occur if you handle the plug or appliance with wet hands. Do not handle plug or appliance with wet hands.



Warning: Do not use without dust bag and or filters in place.



Warning: Rotating fan blades inside the cover. Before opening cover, switch off machine. Wait until the fan/brush stops completely or dust and debris may be ejected.



Warning: If the machine is not working properly, has been dropped, damaged, left outdoors, or dropped into water, return it to an Authorized service center.



Warning: Damage could occur to machine if openings are blocked. Do not put any object into openings. Do not use any opening blocked: keep free of dust, lint, hair, and anything that may reduce air flow.



Warning: Injury could occur to the operator or the machine if used without the dust bag and/or filters in place. Do not use the machine without the dust bag and/or filters in place.



Warning: Injury to the operator and/or damage to the machine could occur when cleaning on stairs, unless caution is used. Use extreme caution when cleaning on stairs.



Warning: To reduce the risk of electrical shock, always use a 3-wire electrical system connected to the electrical ground. Whenever possible connect the machine to an outlet protected by a ground fault interrupter (GFI). See "Grounding Instructions."

SAVE THESE INSTRUCTIONS

120 Volt Machine Instructions For Connection To The Power Supply

This machine uses a 120 volt AC 60 cycle electrical circuit. Make sure you have the correct frequency and voltage before connecting the power cord to an outlet.



Warning: To reduce the risk of electrical shock, protect the machine from rain. Keep the machine in a dry area.



Warning: To reduce the risk of electrical shock, always use a 3-wire electrical system connected to the electrical ground. Whenever possible connect the machine to an outlet protected by a ground fault interrupter (GFI).



Warning: Do not cut, remove or break the ground pin. If the outlet does not fit the plug, consult your electrical contractor.



Warning: Have worn, cut or damaged cords and plugs replaced by an authorized service person.



Warning: If it becomes necessary to use an extension cord to reach an electrical outlet, you must use one that is at least one size larger in wire size. Such as a power cord that is marked 12/3 would need to use an extension cord that is marked 10/3. Do not use an extension cord that is undersized.

IMPORTANT INSTRUCTIONS

- Before use the equipment must be correctly assembled with all of its components
- Check that the electrical outlet is correct for use with the plug on the machine
- Before connecting, check that the specified motor voltage corresponds to the main voltage available
- Never use the equipment near flammable, explosive or toxic substances: sparks from the motor could cause dangerous reactions.
- Always unplug the machine from the electrical outlet when leaving machine unattended or before attempting any repair.
- Service and repair should be done by qualified personnel only. Use only original manufacturer's replacement parts.

Operation

This machine is a commercial vacuum designed for dry pick up only. And must be stored in a dry location.

1. Attach paper bag to tank inlet deflector. See Figure 1.
2. Ensure that the cartridge filter is securely attached to the bottom of the vacuum head. See Figure 2.
3. Stretch treated pre-filter over the HEPA cartridge filter. See Figure 2.
4. Attach filter retainer using the 2 mounting screws.
5. Place vacuum head onto the tank and secure it with the two clamps.
6. Insert hose into the tank inlet until it locks in place. See Figure 3.
7. Attach appropriate cleaning tool.
8. Activate the vacuum by pressing the switch on the vacuum head.



Figure 1

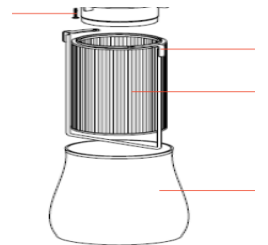


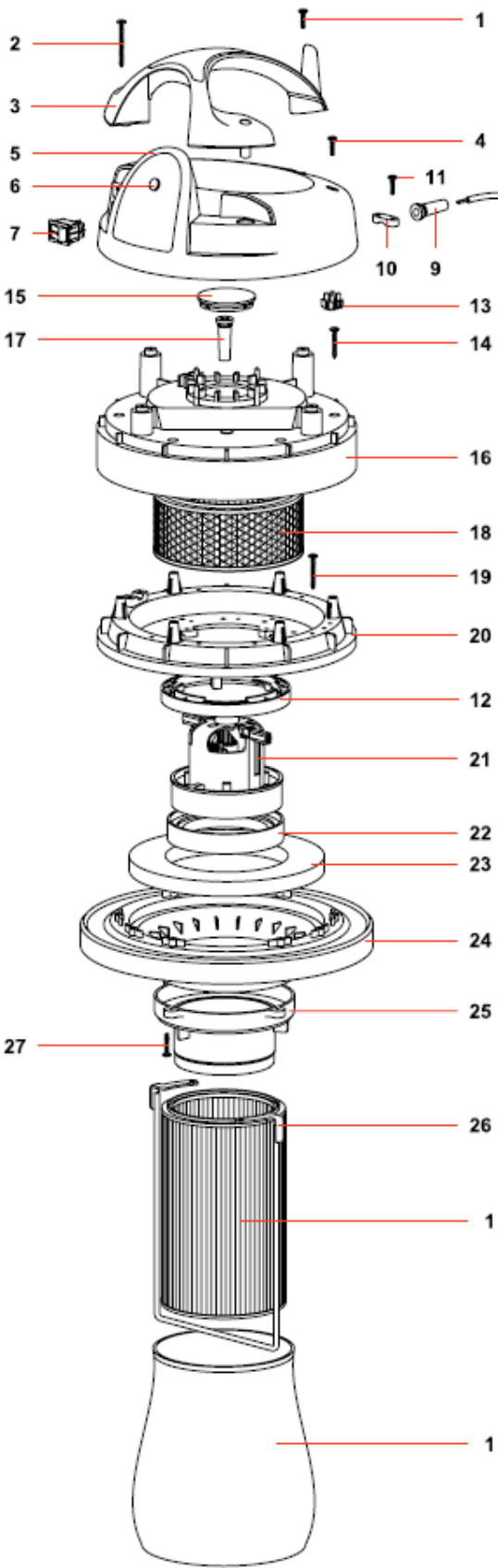
Figure 2



Figure 3

After Use

1. Store the cord on the hook.
2. Store the appliance indoors, away from sources of heat.
3. This appliance is provided with an automatically reset thermal limiter to avoid damage to motor. If thermal limiter operates do one or more of the following:
 - Change the bag
 - Clean or replace the cartridge filter
 - Check hose and tank inlet for any obstructions
 - Wait a few minutes for the thermal limiter to re-close the circuit

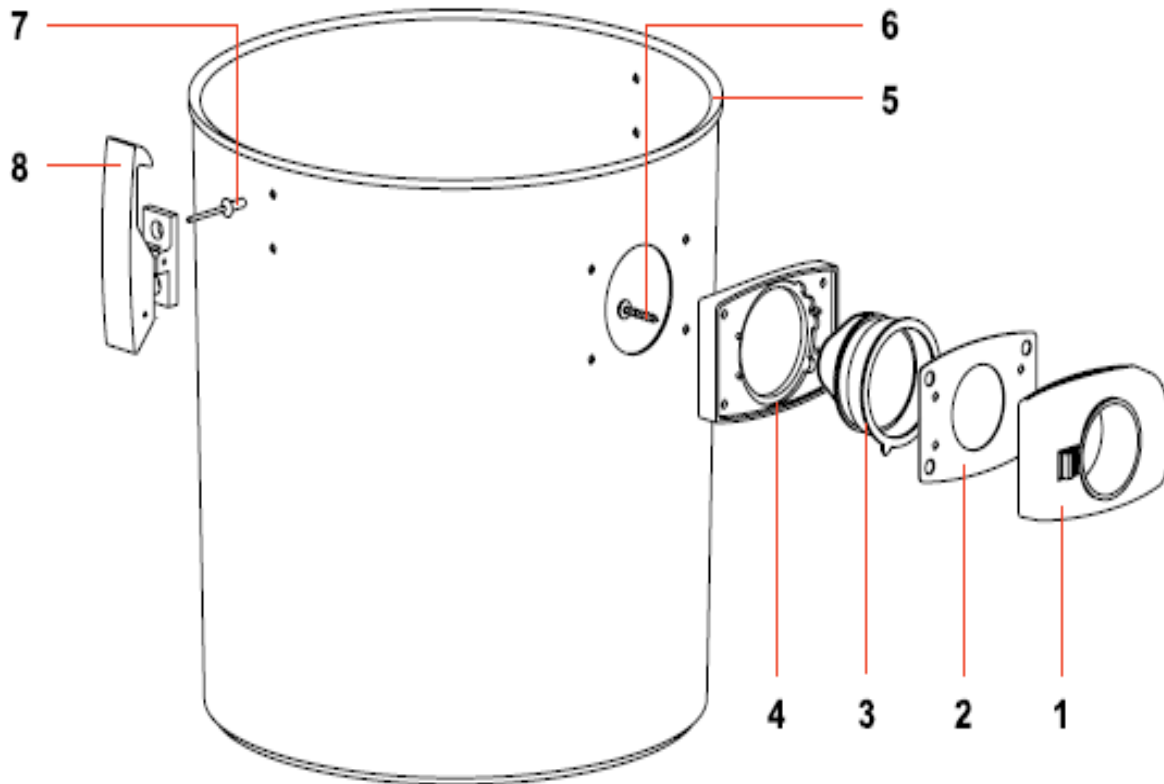


Item	Part #	Description	Qty.
1	ATIBCV1006	Screw, 5x20	1
2	ATIBCV3273	Screw, 5x55	2
3	ATIBCV20725	Handle, Cover	1
4	ATIBCV1006	Screw, 5x20	2
5	ATIBCV20726SL	Cover, Top	1
6	ATIBCV7603	Indicator Light	1
7	ATIBCV0114	Switch	1
8	ATIBCV0117	Cord	1
9	ATIBCV0138	Strain Relief	1
10	ATIBCV0139	Clamp, Cord	1
11	ATIBCV1006	Screw, 5x20	1
12	ATIBCV3935	Spacer	1
13	ATIBCV3464	Terminal Strip	1
14	ATIBCV1050	Screw, 5x35	6
15	ATIBCV3383	Cap	1
16	ATIBCV2738SL	Cover, Motor	1
17	ATIBCV0138	Strain Relief	1
18	ATIBCVH2	Filter, HEPA	1
19	ATIBCV2627	Screw, 5x40	6
20	ATIBCV2591SL	Plate, Motor	1
21	ATIBCV7585TP	Motor	1
22	ATIBCV7630	Gasket, Motor	1
23	ATIBCV7635	Sound Dampener	1
24	ATIBCV3190GSL	Base, W/Gasket	1
25	ATIBCV7765	Support, Filter	1
26	ATIBCV21036	Bracket, Filter	1
27	ATIBCV3156	Screw, 5x20	4

Item	Part #	Description	Qty.
1	ATIBCVH1	Filter, HEPA	1
1	ATIBCVSF	Pre-Filter	1

Tank and Cart Assembly ATBCV

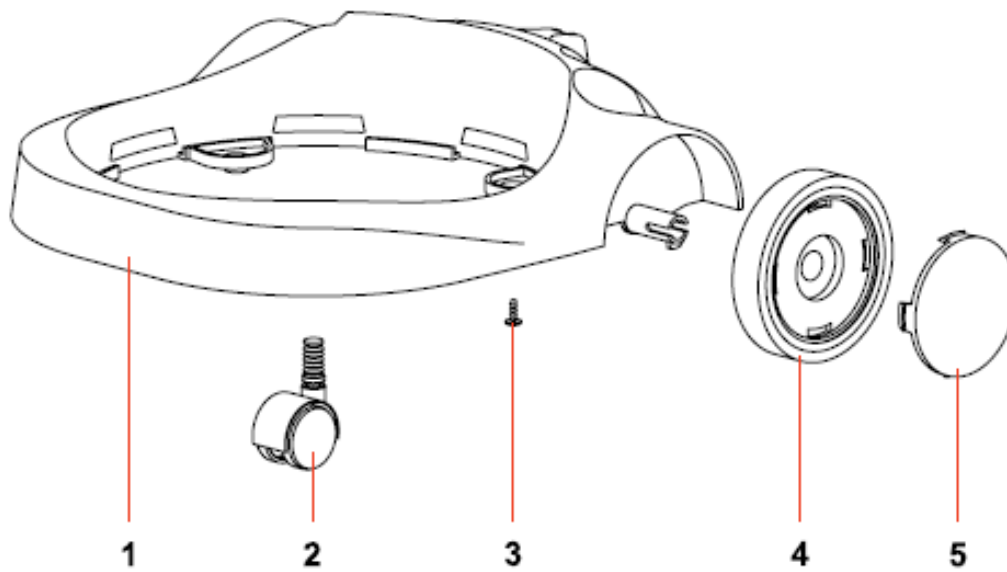
Tank Assembly



Item	Part#	Description	Qty
1	ATBCV2652A	Inlet Cover	1
2	ATBCV2846	Gasket, Inlet	1
3	ATBCV2593	Deflector	1
4	ATBCV2586	Inlet Cover Base	1
5	ATBCV21153	Tank	1
6	ATBCV1026	Screw 5x30	4
7	ATBCV1302	Rivet	4
8	ATBCV1847/S	Latch	2

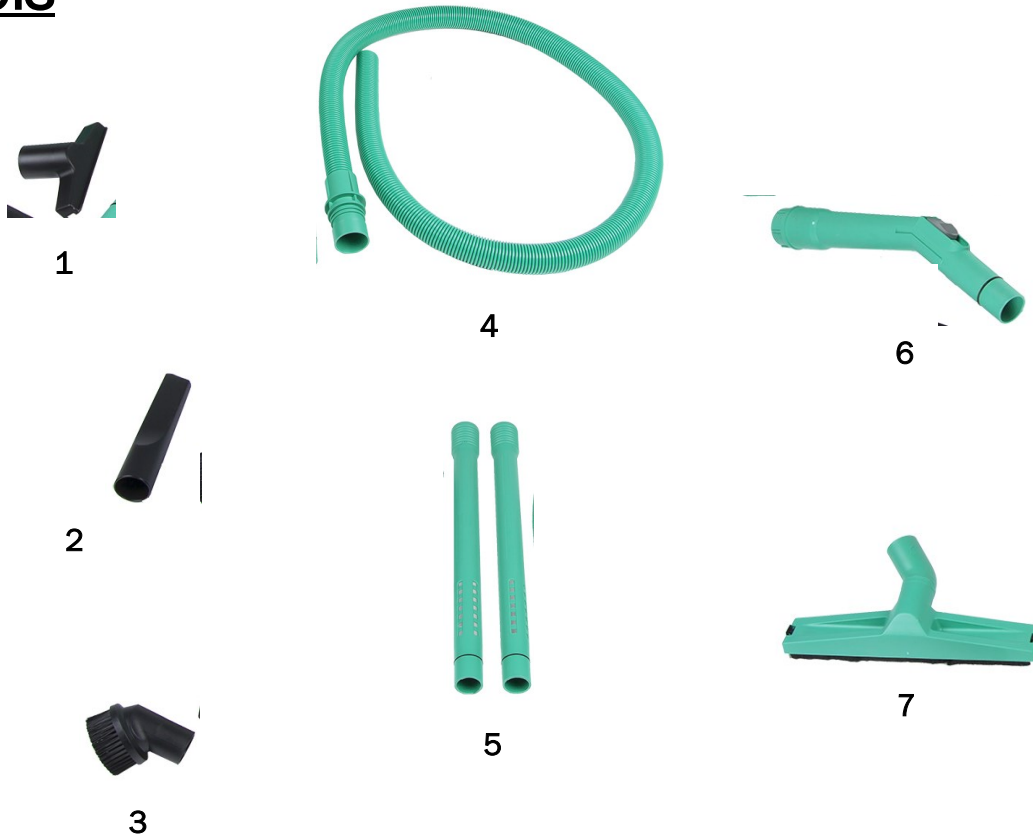
Tank and Cart Assembly ATBCV

Cart Assembly



Item	Part#	Description	Qty
1	ATBCV20744	Base	1
2	ATBCV0558	Caster, Swivel	2
3	ATBCV1005	Screw, M5x14	4
4	ATBCV6043	Wheel, Rear	2
5	ATBCV6044	Hub Cap	2

Tools



Item	Part#	Description	Qty
1	ATIBCV0616	Hand Tool	1
2	ATIBCV0617	Crevice Tool	1
3	ATIBCV0004	Round Brush	1
4	ATIBCV1685VHA	Hose	1
5	ATIBCV6240VHA	Wand, Straight	2
6	ATIBCV6158VHA	Wand, Curved	1
7	ATIBCV6210VHA	Double Use Floor Brush	1

Filters

ATIBCVBAG	Paper Bags, 5/pkg
ATIBCVH1	Hepa Filter, Cartridge Main
ATIBCVH2	Hepa Filter, Cartridge Exhaust
ATIBCVSF	Pre-Filter, Treated

Warranty Policy

Limited Warranty

Atrix International warrants new cleaning equipment against defects in material and workmanship under normal use and service to the original purchaser as detailed below.

3 years

Subject to the conditions stated below, Atrix International warrants all Polyethylene Tanks to be free from defects in materials and workmanship for a 3-year period. Parts replaced or repaired are warranted for the remainder of the original warranty period.

1 year

Subject to the conditions stated below, Atrix International warrants all other cleaning equipment components to be free from defects in materials and workmanship for a 1-year period. Parts replaced or repaired are warranted for the remainder of the original warranty period.

Atrix International will furnish and charge for replacement parts, including transportation, to the original owner. If the part is returned within 30 days and is found defective, the owner will be credited for the cost of the replacement part including shipping and handling.

Wear items exempt from warranty include belts, carbon brushes, power cords, wheels, brushes, pads, handle grips, filters, screens, hoses, and squeegees.

This warranty shall not apply to failures caused by misuse or abuse, improper maintenance as stated in the operation manuals, use of unauthorized repair parts, repairs by other than Atrix International, and damage in transit.

Atrix International disclaims and denies any liability for any direct, indirect, special incidental or consequential damage which may be suffered as a result of sale, delivery, servicing, use, loss of any product, downtime, labor, freight, or other charges not expressly included herein.

Register your warranty at **www.atrix.com**.