

### Cat No. 733-514

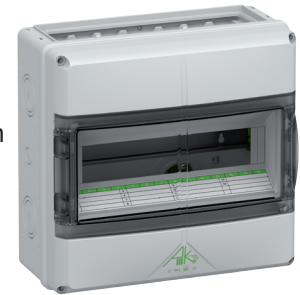
#### AK-F 14

##### Description

Distribution box - Industrial Quality -, flange type, with open top and bottom, for use with various flanges or to combine multiple AK-F - distribution boxes with combination flange, 1 row, 14 modules with pre-installed height adjustable DIN rail. Integrated ventilation elements included to reduce condensation. Labeling strips included.

**Knockouts on each side:** 2x M40/50  
1x M20

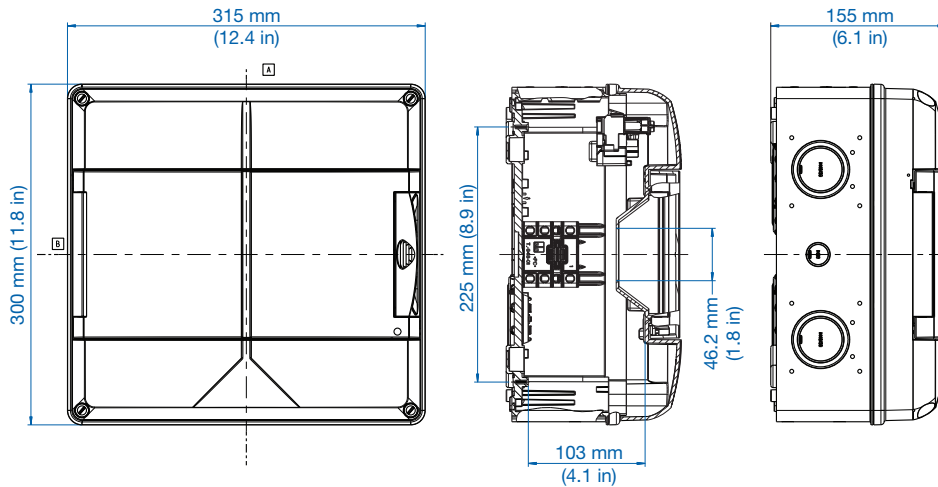
**Rear Knockouts:** 2x M32/40  
4x M20/25



315 x 300 x 155 mm  
(12.4 x 11.8 x 6.1 in)



Flange end walls sold separately see page 33.



### Cat No. 733-528

#### AK-F 28

##### Description

Distribution box - Industrial Quality -, flange type, with open top and bottom, for use with various flanges or to combine multiple AK-F - distribution boxes with combination flange, 2 rows, 28 modules with pre-installed height adjustable DIN rails. Integrated ventilation elements included to reduce condensation. Labeling strips included.

**Knockouts on each side:** 2 x M40/50  
2 x M20/25  
2 x M20

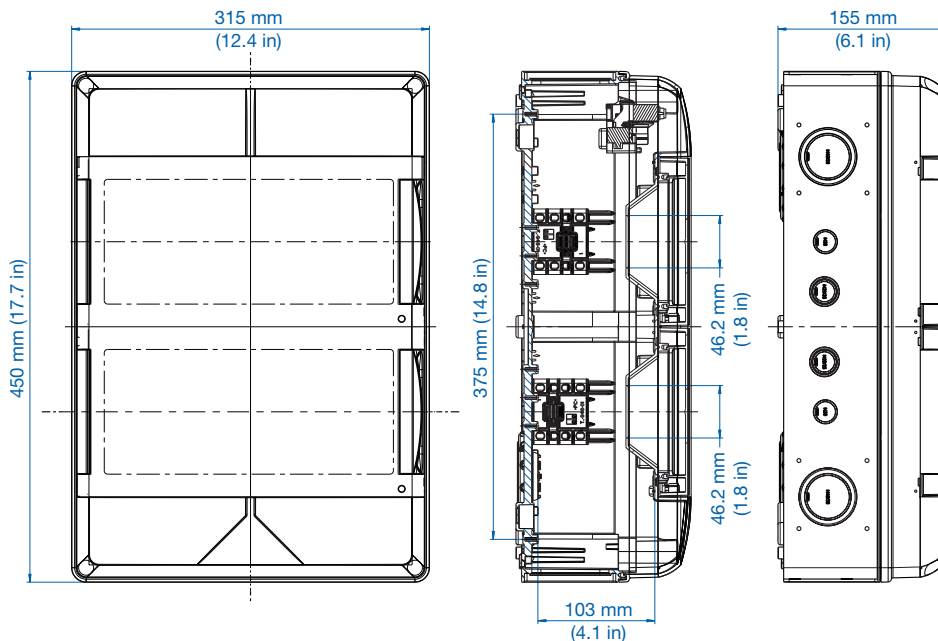
**Rear Knockouts:** 2 x M32/40  
6 x M20/25



315 x 450 x 155 mm  
(12.4 x 17.7 x 6.1 in)



Flange end walls sold separately see page 33.



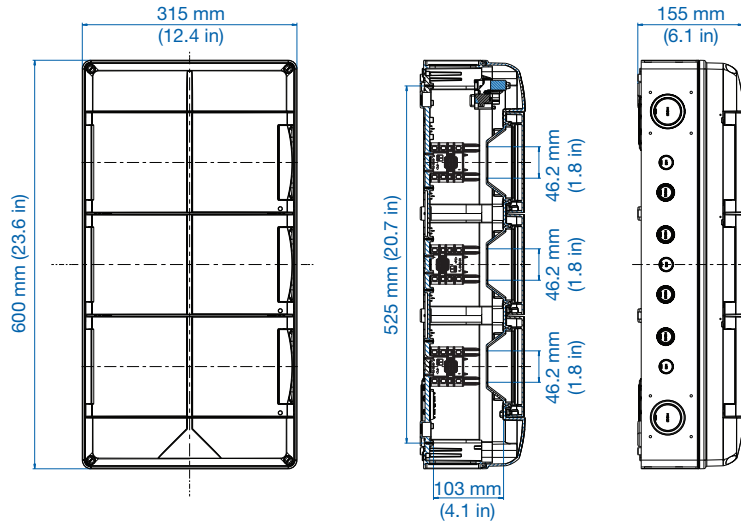


## Cat No. 733-542

### AK-F 42

#### Description

Distribution box - Industrial Quality -, flange type, with open top and bottom, for use with various flanges or to combine multiple AK-F - distribution boxes with combination flange, 3 rows, 42 modules with pre-installed height adjustable DIN rails. Integrated ventilation elements included to reduce condensation. Labeling strips included.

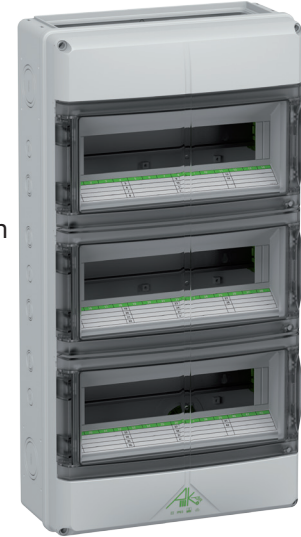


#### Knockouts on each side:

2 x M40/50  
4 x M20/25  
3 x M20

#### Rear Knockouts:

2 x M32/40  
8 x M20/25



315 x 600 x 155 mm  
(12.4 x 23.6 x 6.1 in)



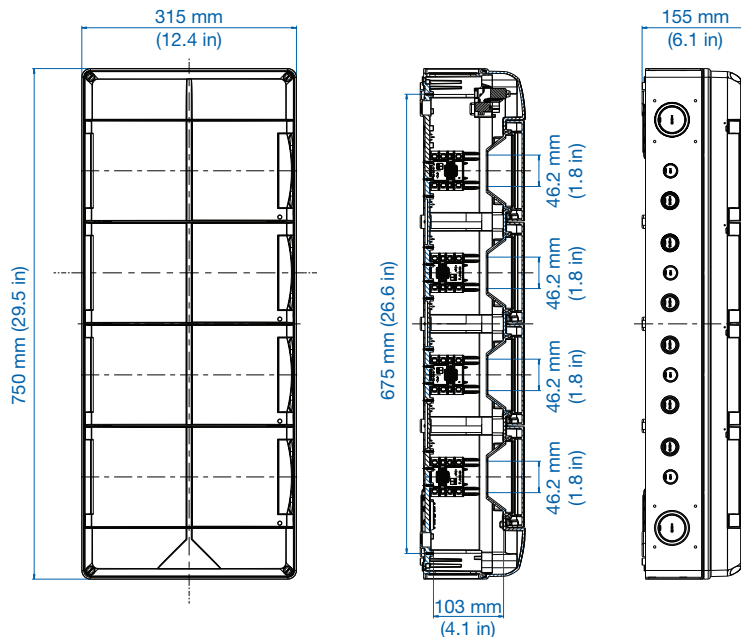
Flange end walls sold separately see page 33.

## Cat No. 733-556

### AK-F 56

#### Description

Distribution box - Industrial Quality -, flange type, with open top and bottom, for use with various flanges or to combine multiple AK-F - distribution boxes with combination flange, 4 rows, 56 modules with pre-installed height adjustable DIN rails. Integrated ventilation elements included to reduce condensation. Labeling strips included.



#### Knockouts on each side:

2 x M40/50  
6 x M20/25  
4 x M20

#### Rear Knockouts:

2 x M32/40  
6 x M20/25



315 x 750 x 155 mm  
(12.4 x 29.5 x 6.1 in)



Flange end walls sold separately see page 33.

### Cat No. 733-714

#### AK-F 14 Plus

##### Description

Distribution box - Industrial Quality -, flange type, with open top and bottom, for use with various flanges or to combine multiple AK-F - distribution boxes with combination flange, 1 row, 14 modules with pre-installed height adjustable DIN rail. Integrated ventilation elements included to reduce condensation. Labeling strips included. Additional connection space has standard 35 mm DIN rail installed.

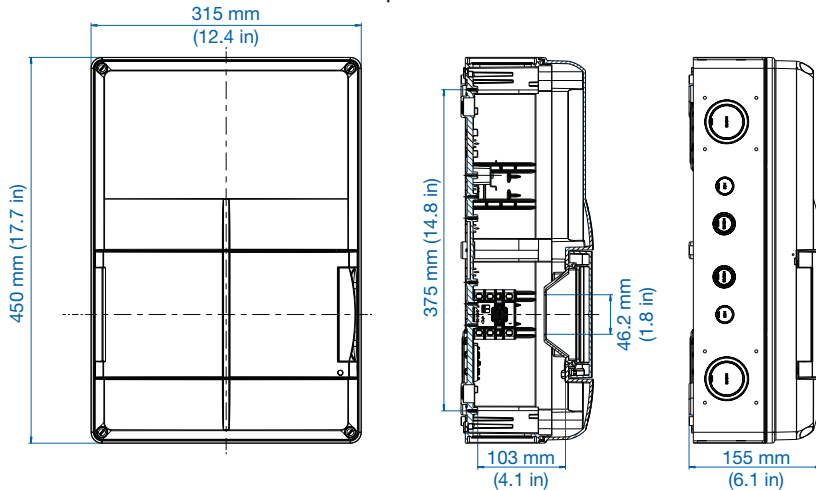
**Knockouts on each side:**  
 2 x M40/50  
 2 x M20/25  
 2 x M20

**Rear Knockouts:**  
 2 x M32/40  
 6 x M20/25



315 x 450 x 155 mm  
 (12.4 x 17.7 x 6.1 in)

Flange end walls sold separately see page 33.



### Cat No. 733-728

#### AK-F 28 Plus

##### Description

Distribution box - Industrial Quality -, flange type, with open top and bottom, for use with various flanges or to combine multiple AK-F - distribution boxes with combination flange, 2 rows, 28 modules with pre-installed height adjustable DIN rails. Integrated ventilation elements included to reduce condensation. Labeling strips included. Additional connection space has standard 35 mm DIN rail installed.

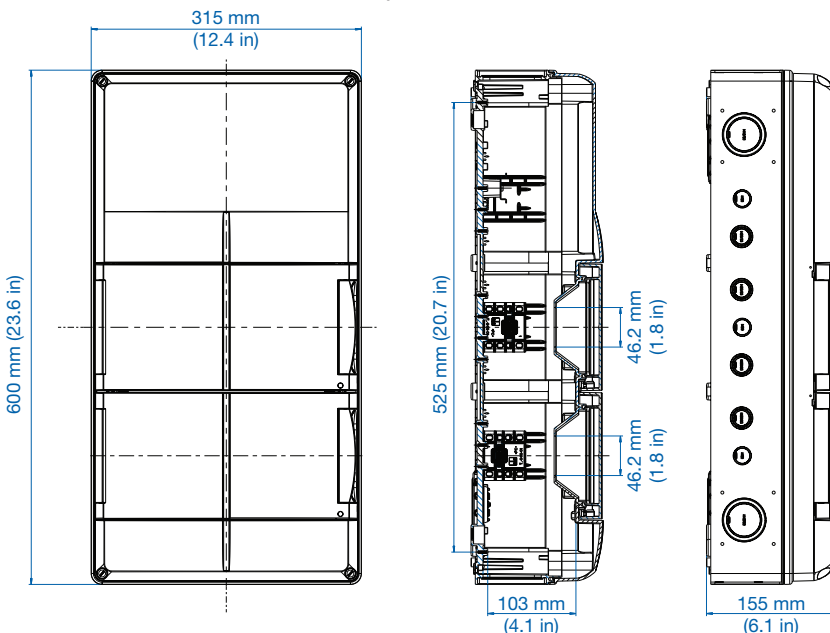
**Knockouts on each side:**  
 2 x M40/50  
 4 x M20/25  
 3 x M20

**Rear Knockouts:**  
 2 x M32/40  
 8 x M20/25



315 x 600 x 155 mm  
 (12.4 x 23.6 x 6.1 in)

Flange end walls sold separately see page 33.





## Cat No. 733-742

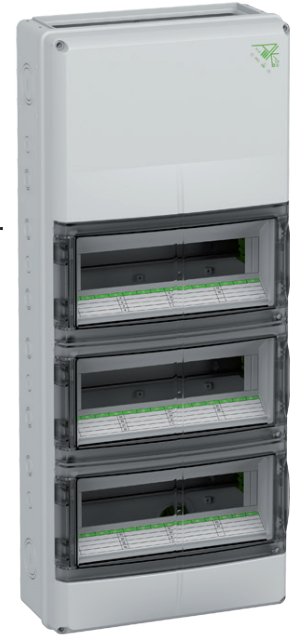
### AK-F 42 Plus

#### Description

Distribution box - Industrial Quality -, flange type, with open top and bottom, for use with various flanges or to combine multiple AK-F - distribution boxes with combination flange, 3 rows, 42 modules with pre-installed height adjustable DIN rails. Integrated ventilation elements included to reduce condensation. Labeling strips included. Additional connection space has standard 35 mm DIN rail installed.

**Knockouts on each side:** 2 x M40/50  
6 x M20/25/  
4 x M20

**Rear Knockouts:** 2 x M32/40  
10 x M20/25



315 x 750 x 155 mm  
(12.4 x 29.5 x 6.1 in)



Flange end walls sold separately see page 33.

