

The image shows several AKL Series enclosures of various sizes and configurations. Some are shown with their doors open, revealing internal DIN rail slots and knockout patterns. The enclosures are light gray or white. Blue technical drawings and dimension lines are overlaid on the image, indicating a 150 mm (5.91 in.) center-to-center spacing for the DIN rails and a 132 mm (5.20 in.) width for one of the units. The background is a gradient of blue.

AKL Series

AKL Enclosures are very similar to their door bearing cousins, the AKII. The main feature that differentiates this family from the AKII is the configuration of the covers and bases.

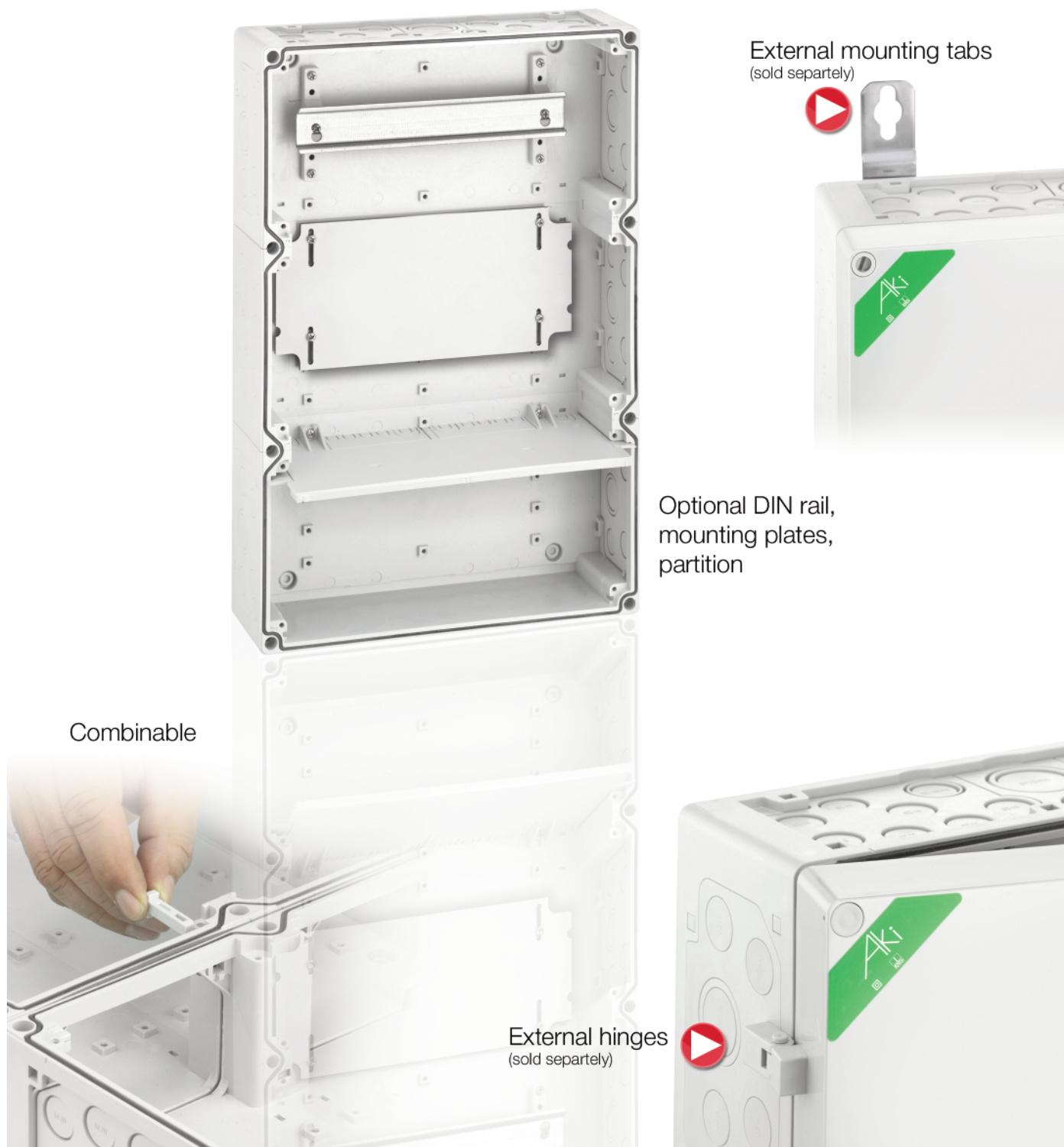
The AKL Series, like the AKII Series, features aesthetically pleasing smooth exterior walls. Knockout patterns are on the inside, except on the top where standard knockouts exist.

The AKL Series offers larger sizes, ranging from 150 x 300 x 142 mm (5.91 x 11.81 x 5.59 in.) to 600 x 300 x 210 mm (23.62 x 11.81 x 8.27 in.). Some models feature low or high covers, available in gray or tinted transparent. Standardized dimensions allow for joining multiple AKL

Enclosures or combining AKII and AKL Enclosures with a common combination kit to create larger enclosure combinations.

As with the AKII, the AKL family features the same 150 mm (5.91 in.) center to center DIN rail spacing. The standard ingress protection level when using appropriate strain reliefs is IP65.

AKL has you covered



AKL1 – Polystyrene and Polycarbonate – 150 x 300 mm (5.91 x 11.81 in.)

Standard Features

- **Protection Level:** IP65
- **Technical:** Knockout Sidewalls
Gray or Tinted Transparent Cover
Multiple Enclosure Combination Options
- **UL Recognized Enclosure Materials:** Polystyrene or Polycarbonate
- **Transparent Cover Material:** Polycarbonate
- **Gasket Material:** Polyurethane
- **Color:** Light Gray
- **Material Temperature Range:** Polystyrene
-40°C to 70°C (-40°F to 158°F)
Polycarbonate
-40°C to 120°C (-40°F to 248°F)
- **Included Accessories:** (1) M20 Double Membrane Seals
(2) M25 Double Membrane Seals
(2) M32 Double Membrane Seals
(1) M40 Entry Spout
- **Accessories:** See section below



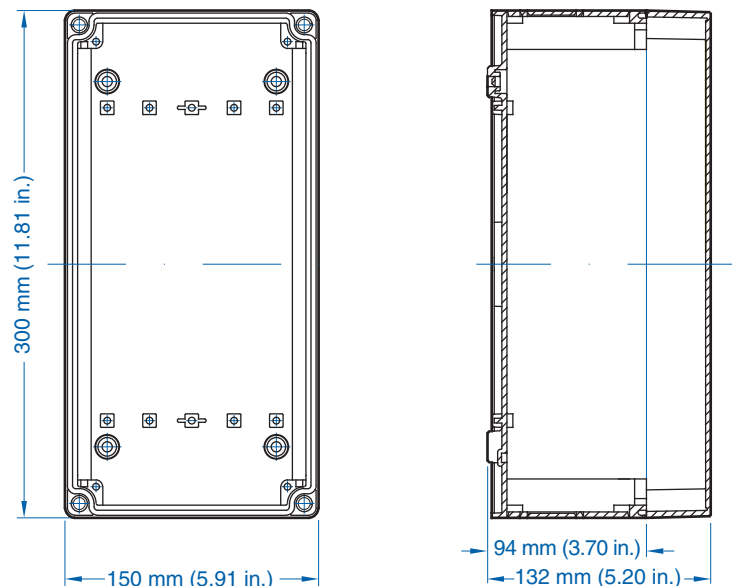
AKL

Ordering Information	Cat. No.	Cover Type / Color	Length	Dimensions mm (in) Width	Height	Std. Pk.
Polystyrene						
Enclosure - low cover	740-401	AKL 1-g / gray	150 mm (5.91 in.)	300 mm (11.81 in.)	132 mm (5.20 in)	1
Transparent - low cover	744-001	AKL 1-t / trans.	150 mm (5.91 in.)	300 mm (11.81 in.)	132 mm (5.20 in)	1
Polycarbonate						
Enclosure - low cover	741-401	AKi 1-g / gray	150 mm (5.91 in.)	300 mm (11.81 in.)	132 mm (5.20 in)	1
Transparent - low cover	745-001	AKi 1-t / trans.	150 mm (5.91 in.)	300 mm (11.81 in.)	132 mm (5.20 in)	1

Accessories

Ordering Information	Cat. No.	Type	Std. Pk.
Mounting Plate – 240 x 112 mm	795-001	AKMPI 1	1
DIN Rail – 216 mm Surface Mounted	795-030	NS35-216/3	1
Hinge Kit Set	190-005	HK2	1
Mounting Tab Kit (metal)	793-004	MT2	1

Please refer to pages 149-152 for additional accessories and detailed information



Please refer to page 158 for Knockout details.

Standard Features

- **Protection Level:** IP65
- **Technical:** Knockout Sidewalls
Gray or Tinted Transparent Cover
Multiple Enclosure Combination Options
- **UL Recognized Enclosure Materials:** Polystyrene or Polycarbonate
- **Transparent Cover Material:** Polycarbonate
- **Gasket Material:** Polyurethane
- **Color:** Light Gray
- **Material Temperature Range:** Polystyrene
-40°C to 70°C (-40°F to 158°F)
Polycarbonate
-40°C to 120°C (-40°F to 248°F)
- **Included Accessories:** (10) M20 Double Membrane Seals
(2) M25 Double Membrane Seals
(2) M32 Double Membrane Seals
(1) M40 Entry Spout
- **Accessories:** See section below



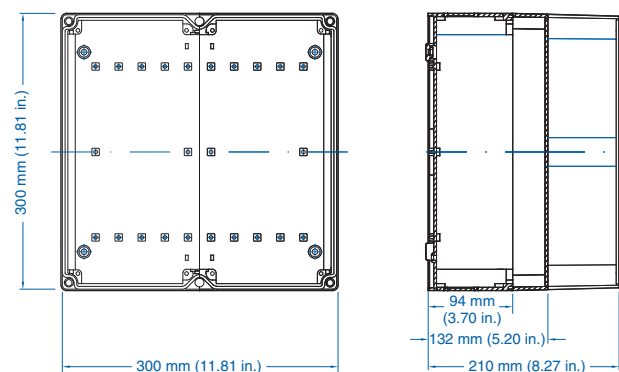
AKL

Ordering Information	Cat. No.	Cover Type / Color	Length	Dimensions mm (in) Width	Height	Std. Pk.
Polystyrene						
Enclosure - low cover	740-402	AKL 2-g / gray	300 mm (11.81 in.)	300 mm (11.81 in.)	132 mm (5.20 in)	1
Enclosure - high cover	742-902	AKL 2-gh / gray	300 mm (11.81 in.)	300 mm (11.81 in.)	210 mm (8.27 in)	1
Transparent - low cover	744-002	AKL 2-t / trans.	300 mm (11.81 in.)	300 mm (11.81 in.)	132 mm (5.20 in)	1
Transparent - high cover	746-902	AKL 2-th / trans.	300 mm (11.81 in.)	300 mm (11.81 in.)	210 mm (8.27 in)	1
Polycarbonate						
Enclosure - low cover	741-402	AKi 2-g / gray	300 mm (11.81 in.)	300 mm (11.81 in.)	132 mm (5.20 in)	1
Enclosure - high cover	743-902	AKi 2-gh / gray	300 mm (11.81 in.)	300 mm (11.81 in.)	210 mm (8.27 in)	1
Transparent - low cover	745-002	AKi 2-t / trans.	300 mm (11.81 in.)	300 mm (11.81 in.)	132 mm (5.20 in)	1
Transparent - high cover	747-902	AKi 2-th / trans.	300 mm (11.81 in.)	300 mm (11.81 in.)	210 mm (8.27 in)	1

Accessories

Ordering Information	Cat. No.	Type	Std. Pk.
Mounting Plate (plastic) – 240 x 240 mm	795-002	AKMPI 2	1
Mounting Plate (steel) – 240 x 240 mm	795-012	AKMPS 2	1
DIN Rail – 250 mm Clip-in	562-735	CITS35/250	1
DIN Rail – 216 mm Surface Mounted	795-030	NS35-216/3	1
Hinge Kit Set	190-005	HK2	1
Mounting Tab Kit (metal)	793-004	MT2	1

Please refer to pages 149-152 for additional accessories and detailed information.



Please refer to page 158 for Knockout details.

AKL3 – Polystyrene and Polycarbonate – 450 x 300 mm (17.72 x 11.81 in.)

Standard Features

- **Protection Level:** IP65
- **Technical:** Knockout Sidewalls
Gray or Tinted Transparent Cover
Multiple Enclosure Combination Options
- **UL Recognized Enclosure Materials:** Polystyrene or Polycarbonate
- **Transparent Cover Material:** Polycarbonate
- **Gasket Material:** Polyurethane
- **Color:** Light Gray
- **Material Temperature Range:** Polystyrene
-40°C to 70°C (-40°F to 158°F)
Polycarbonate
-40°C to 120°C (-40°F to 248°F)
- **Included Accessories:** (10) M20 Double Membrane Seals
(2) M25 Double Membrane Seals
(2) M32 Double Membrane Seals
(1) M40 Entry Spout
- **Accessories:** See section below



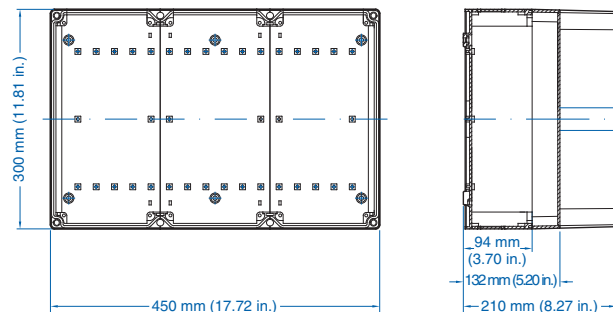
AKL

Ordering Information	Cat. No.	Cover Type / Color	Length	Dimensions mm (in) Width	Height	Std. Pk.
Polystyrene						
Enclosure - low cover	740-403	AKL 3-g / gray	450 mm (17.72 in.)	300 mm (11.81 in.)	132 mm (5.20 in)	1
Enclosure - high cover	742-903	AKL 3-gh / gray	450 mm (17.72 in.)	300 mm (11.81 in.)	210 mm (8.27 in)	1
Transparent - low cover	744-003	AKL 3-t / trans.	450 mm (17.72 in.)	300 mm (11.81 in.)	132 mm (5.20 in)	1
Transparent - high cover	746-903	AKL 3-th / trans.	450 mm (17.72 in.)	300 mm (11.81 in.)	210 mm (8.27 in)	1
Polycarbonate						
Enclosure - low cover	741-403	AKI 3-g / gray	450 mm (17.72 in.)	300 mm (11.81 in.)	132 mm (5.20 in)	1
Enclosure - high cover	743-903	AKI 3-gh / gray	450 mm (17.72 in.)	300 mm (11.81 in.)	210 mm (8.27 in)	1
Transparent - low cover	745-003	AKI 3-t / trans.	450 mm (17.72 in.)	300 mm (11.81 in.)	132 mm (5.20 in)	1
Transparent - high cover	747-903	AKI 3-th / trans.	450 mm (17.72 in.)	300 mm (11.81 in.)	210 mm (8.27 in)	1

Accessories

Ordering Information	Cat. No.	Type	Std. Pk.
Mounting Plate (plastic) – 240 x 390 mm	795-003	AKMPI 3	1
Mounting Plate (steel) – 240 x 390 mm	795-013	AKMPS 3	1
DIN Rail – 250 mm Clip-in	562-735	CITS35/250	1
DIN Rail – 216 mm Surface Mounted	795-030	NS35-216/3	1
Hinge Kit Set	190-005	HK2	1
Mounting Tab Kit (metal)	793-004	MT2	1

Please refer to pages 149-152 for additional accessories and detailed information.



Please refer to page 158 for Knockout details.

Standard Features

- **Protection Level:** IP65
- **Technical:** Knockout Sidewalls
Gray or Tinted Transparent Cover
Multiple Enclosure Combination Options
- **UL Recognized Enclosure Materials:** Polystyrene or Polycarbonate
- **Transparent Cover Material:** Polycarbonate
- **Gasket Material:** Polyurethane
- **Color:** Light Gray
- **Material Temperature Range:** Polystyrene
-40°C to 70°C (-40°F to 158°F)
Polycarbonate
-40°C to 120°C (-40°F to 248°F)
- **Included Accessories:** (10) M20 Double Membrane Seals
(2) M25 Double Membrane Seals
(2) M32 Double Membrane Seals
(1) M40 Entry Spout
- **Accessories:** See section below



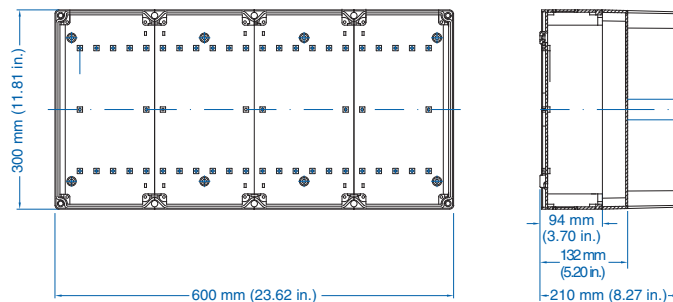
AKL

Ordering Information	Cat. No.	Cover Type / Color	Length	Dimensions mm (in) Width	Height	Std. Pk.
Polystyrene						
Enclosure - low cover	740-404	AKL 4-g / gray	600 mm (23.62 in.)	300 mm (11.81 in.)	132 mm (5.20 in)	1
Enclosure - high cover	742-904	AKL 4-gh / gray	600 mm (23.62 in.)	300 mm (11.81 in.)	210 mm (8.27 in)	1
Transparent - low cover	744-004	AKL 4-t / trans.	600 mm (23.62 in.)	300 mm (11.81 in.)	132 mm (5.20 in)	1
Transparent - high cover	746-904	AKL 4-th / trans.	600 mm (23.62 in.)	300 mm (11.81 in.)	210 mm (8.27 in)	1
Polycarbonate						
Enclosure - low cover	741-404	AKI 4-g / gray	600 mm (23.62 in.)	300 mm (11.81 in.)	132 mm (5.20 in)	1
Enclosure - high cover	743-904	AKI 4-gh / gray	600 mm (23.62 in.)	300 mm (11.81 in.)	210 mm (8.27 in)	1
Transparent - low cover	745-004	AKI 4-t / trans.	600 mm (23.62 in.)	300 mm (11.81 in.)	132 mm (5.20 in)	1
Transparent - high cover	747-904	AKI 4-th / trans.	600 mm (23.62 in.)	300 mm (11.81 in.)	210 mm (8.27 in)	1

Accessories

Ordering Information	Cat. No.	Type	Std. Pk.
Mounting Plate (plastic) – 240 x 540 mm	795-004	AKMPI 4	1
Mounting Plate (steel) – 240 x 540 mm	795-014	AKMPS 4	1
DIN Rail – 250 mm Clip-in	562-735	CITS35/250	1
DIN Rail – 216 mm Surface Mounted	795-030	NS35-216/3	1
Hinge Kit Set	190-005	HK2	1
Mounting Tab Kit (metal)	793-004	MT2	1

Please refer to pages 149-152 for additional accessories and detailed information.



Please refer to page 158 for Knockout details.