

712B RTD Calibrator

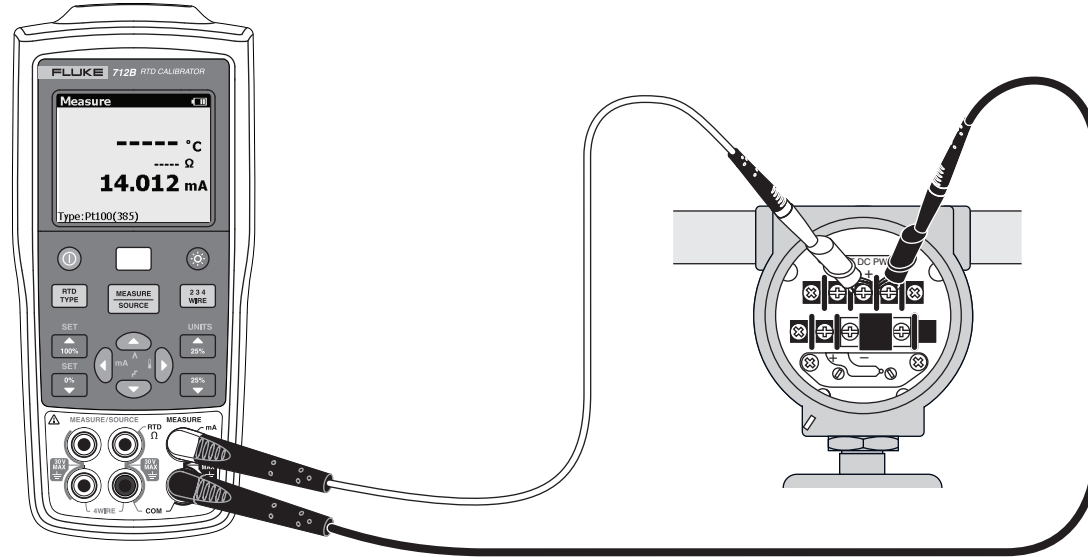
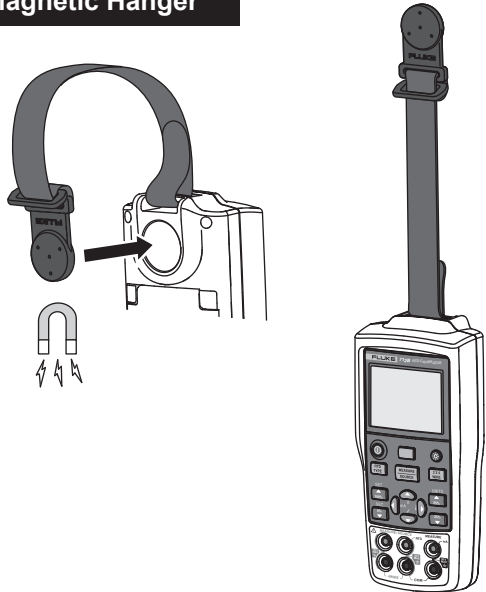
Quick Reference Guide

Warning

To prevent possible electrical shock, fire, or personal injury, read the "712B Safety Sheet" before you use this Product.

Go to www.fluke.com to register your product, download manuals, and find more information.

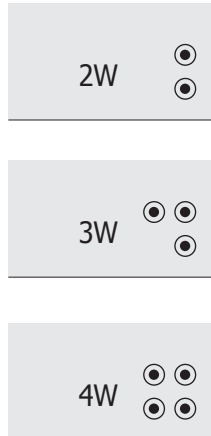
Magnetic Hanger



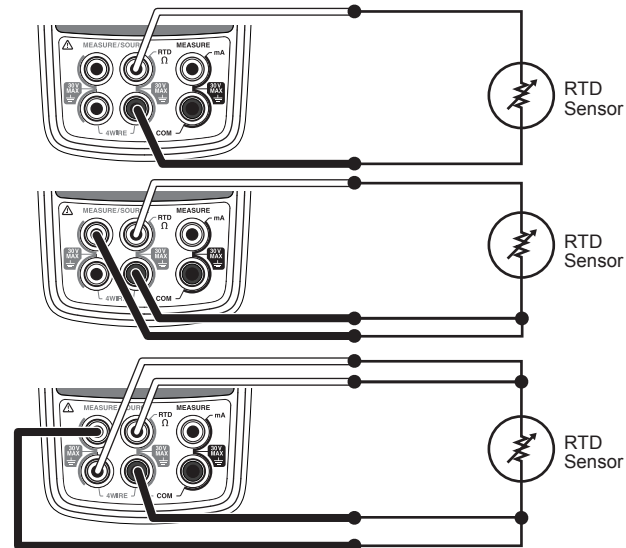
RTD Measure

- 1 MEASURE SOURCE
- 2 2 3 4 WIRE

2-, 3-, or 4-wire select

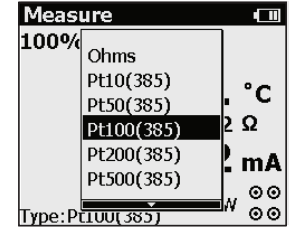


RTD Temperature with RTD



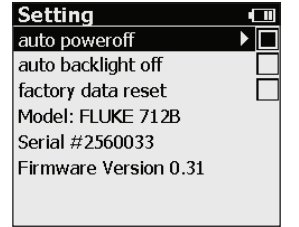
RTD Type

- 1 RTD TYPE
- 2
- 3 RTD TYPE



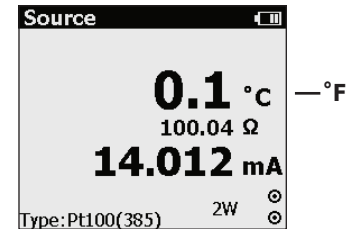
Settings

- 1 SHIFT
- 2 RTD TYPE
- 3
- 4 Enable/Disable
- 5 RTD TYPE



Units

- 1 SHIFT
- 2 UNITS



Source

RTD Simulate RTD

SOURCE

- MEASURE SOURCE
- RTD TYPE
- RTD TYPE
- RTD TYPE

Source
100%
Ohms
Pt10(385) °C
Pt50(385) Ω
Pt100(385) mA
Pt200(385)
Pt500(385)
Type: Pt100(385)

Temperature RTD

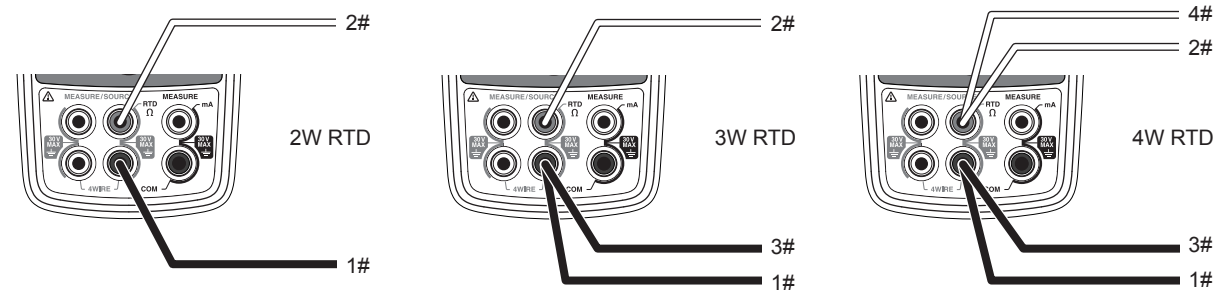
SOURCE

- MEASURE SOURCE
- RTD TYPE
- RTD TYPE

Source
100%
100.0 °C
1403 Ω
14.012 mA
Type: Pt100(385)

Source

Simulate/Source 2W/3W/4W RTD



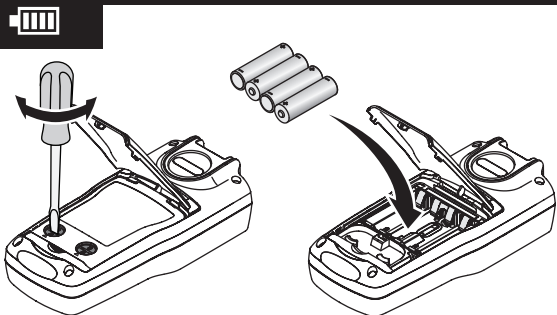
Contrast

MEASURE

- MEASURE SOURCE
- MEASURE SOURCE
- MEASURE SOURCE

Measure
32.2 °C
14.012 mA
Type: K

Measure
32.2 °C
14.012 mA
Type: K



0%

A

- MEASURE SOURCE
- SHIFT
- 0%

Source
0%
-202.0 °C
17.65 Ω
14.012 mA
Type: Pt100(385)

100%

B

- MEASURE SOURCE
- SHIFT
- 100%

Source
100%
238.0 °C
189.75 Ω
14.012 mA
Type: Pt100(385)

Linearity or Span Test

C

0% 25% 25% 100%

OR

Source
75%
128.0 °C
149.08 Ω
14.012 mA
Type: Pt100(385)

Ramp or Step

D

- MEASURE SOURCE
- SHIFT
- Ramp / Step

Source
100%
238.0 °C
189.75 Ω
14.012 mA
Type: Pt100(385)

^ Ramp
v Step

Scale mA Channel to Temperature

1 SHIFT

2 mA / °C

OR

3 SHIFT

4 mA

Source
75%
100.2 °C
138.58 Ω
100.2 °C
Type: Pt100(385)

Note:
Temperature at 4 mA =
Span check 0 %
Temperature at 20 mA =
Span check 100 %