

## PARTS LIST FOR PN 28659 MATCH AND FINISH SANDER

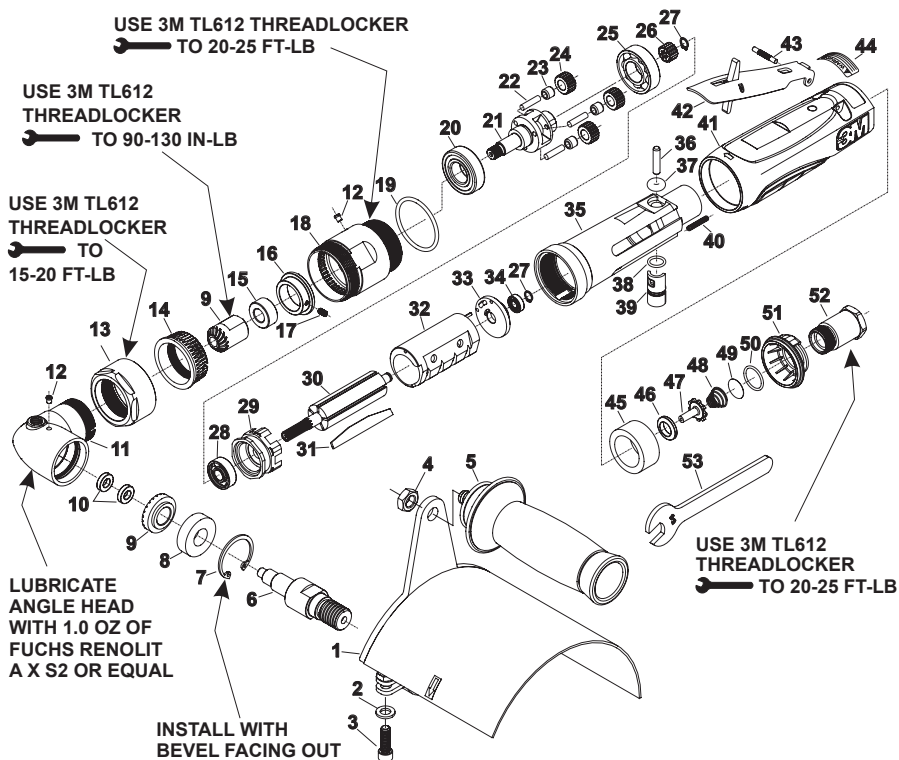


Fig	3M PN	Description	QTY	Fig	3M PN	Description	QTY
1	66785	Guard Assembly	1	28	06506	Ball Bearing	1
2	66786	Washer	1	29	30433	Front End Plate	1
3	66767	Socket Head Cap Screw	1	30	06640	Rotor	1
4	06503	Jam Nut	1	31	06643	Vane, Set of 5	1
5	28402	Support Handle	1	32	06563	Cylinder, Non-Rev	1
6	66768	Output Spindle	1	33	06560	Rear End Plate	1
7	55088	Retaining Ring	1	34	06508	Ball Bearing	1
8	55078	Ball Bearing	1	35	06638	3M 1HP Housing	1
9	66769	Spiral Bevel Gear Set	1	36	06558	Pin Torrington 3/16" x 7/8"	1
10	55114	Ball Bearing (2)	2	37	06543	O-Ring	1
11	55111	Angle Head (Includes Figure 12)	1	38	06511	O-Ring 1/16" x 3/8" x 1/2"	1
12	06523	Grease Fitting (2)	2	39	06556	Regulator	1
13	66770	Clamp Nut	1	40	06501	Set Screw, 6-32 x 3/4" Socket Hex	1
14	66771	Short Sleeve	1	41	06598	Housing Cover	1
15	66772	Spacer	1	42	06642	Lever Assembly	1
16	66773	Spacer	1	43	06559	Knurl Pin	1
17	66774	Set Screw 6-32 x 1/4"	1	44	06566	Warning Label	1
18	66775	Gear Case Assembly (Includes Figure 12)	1	45	06557	Muffler	1
19	06609	O-Ring	1	46	06552	Throttle Valve Seat	1
20	66776	Ball Bearing	1	47	06553	Throttle Valve	1
21	66777	Gear Carrier	1	48	06554	Taper Spring	1
22	30370	Pin (3)	3	49	06555	Screen	1
23	30366	Needle Bearing (3)	3	50	06608	O-Ring 1/16" x 5/8" x 3/4"	1
24	30431	Planet Gear (3)	3	51	06604	Rotatable Exhaust Deflector	1
25	30390	Ball Bearing	1	52	06605	Inlet Bushing, 1/4 Npt	1
26	30432	Sun Gear	1	53	06524	Wrench	1
27	30369	External Retaining Ring (2)	2				