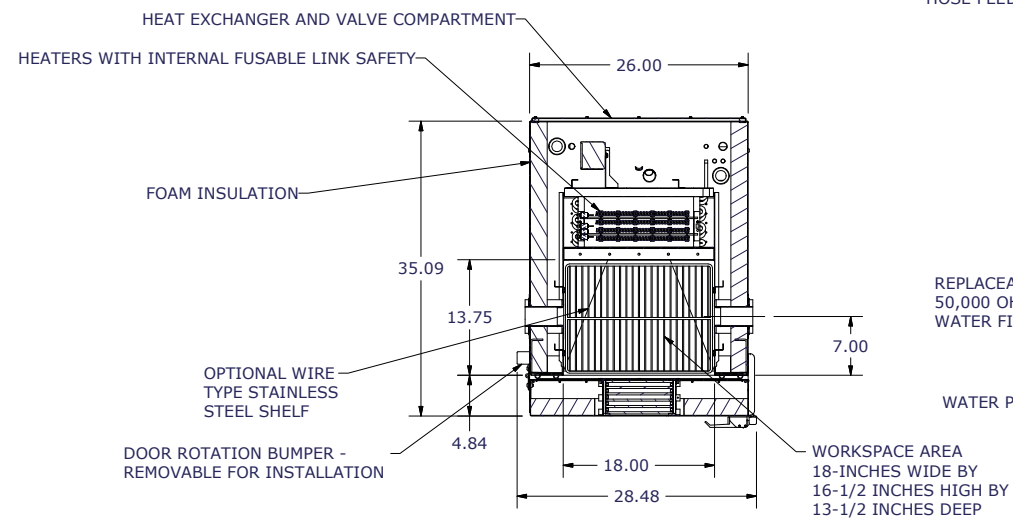
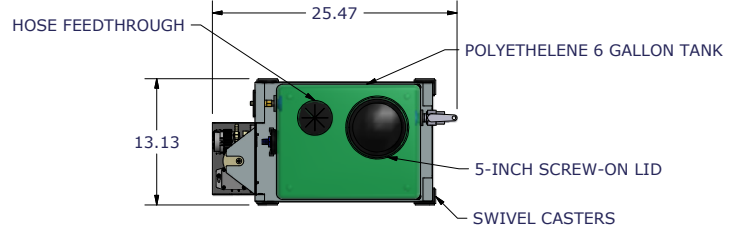


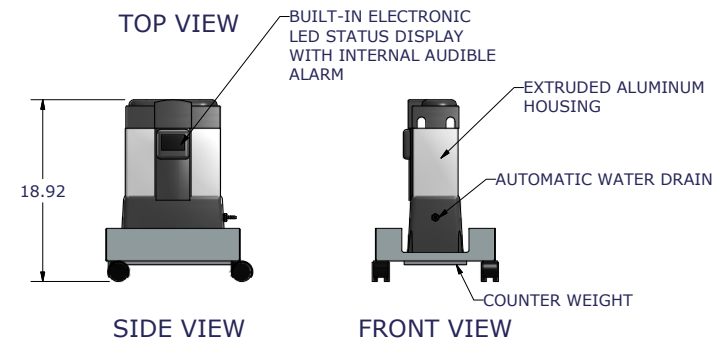
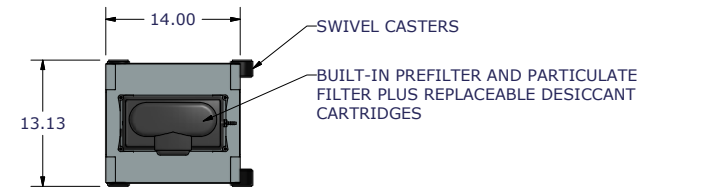
REVISION HISTORY				
ZONE	REV	DESCRIPTION	DATE	APPROVED
	E	Humidity System, F4T Control, Compressors	5/2/14	JR



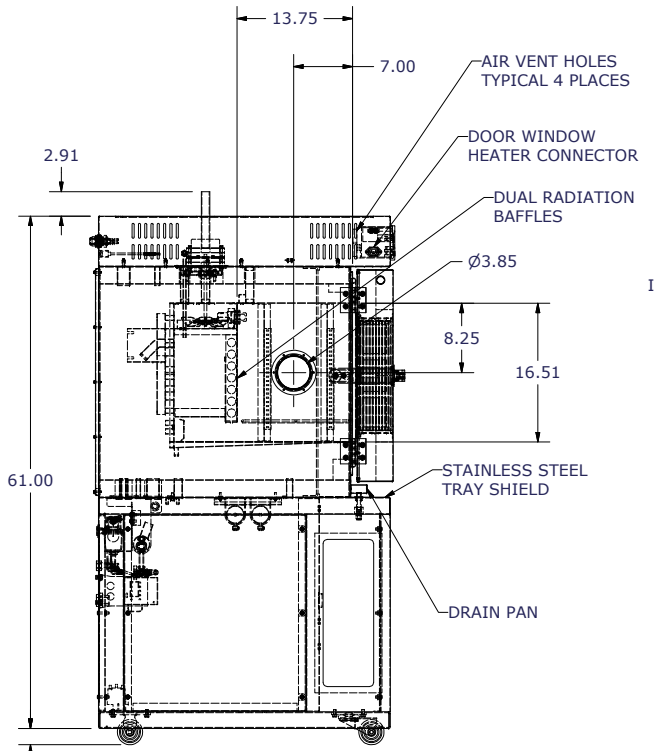
SECTION E-E TOP VIEW



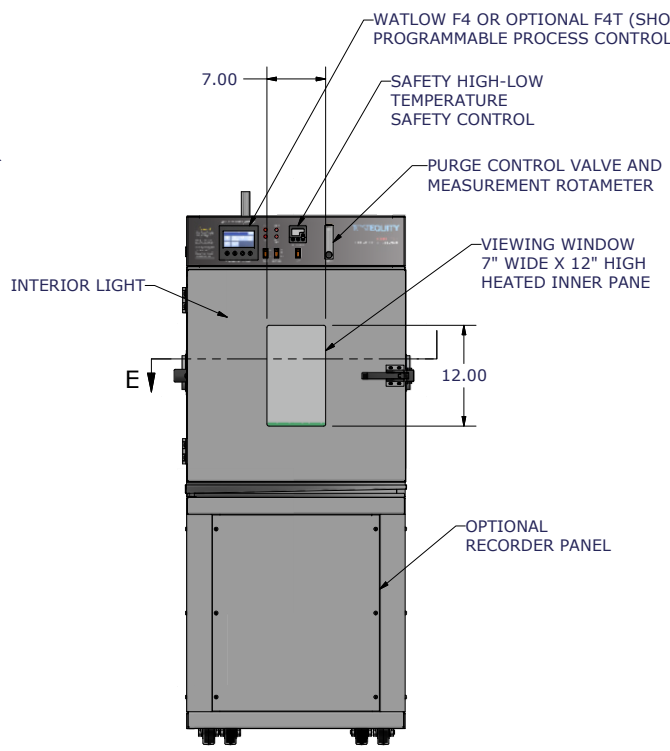
OPTIONAL W100 WATER RECIRCULATION SYSTEM, TE-0016



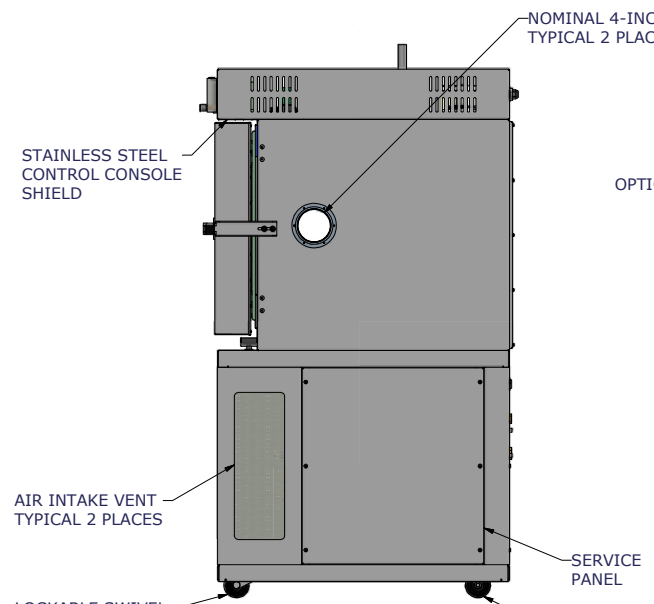
OPTIONAL DRY AIR PURGE SYSTEM, TE-0017



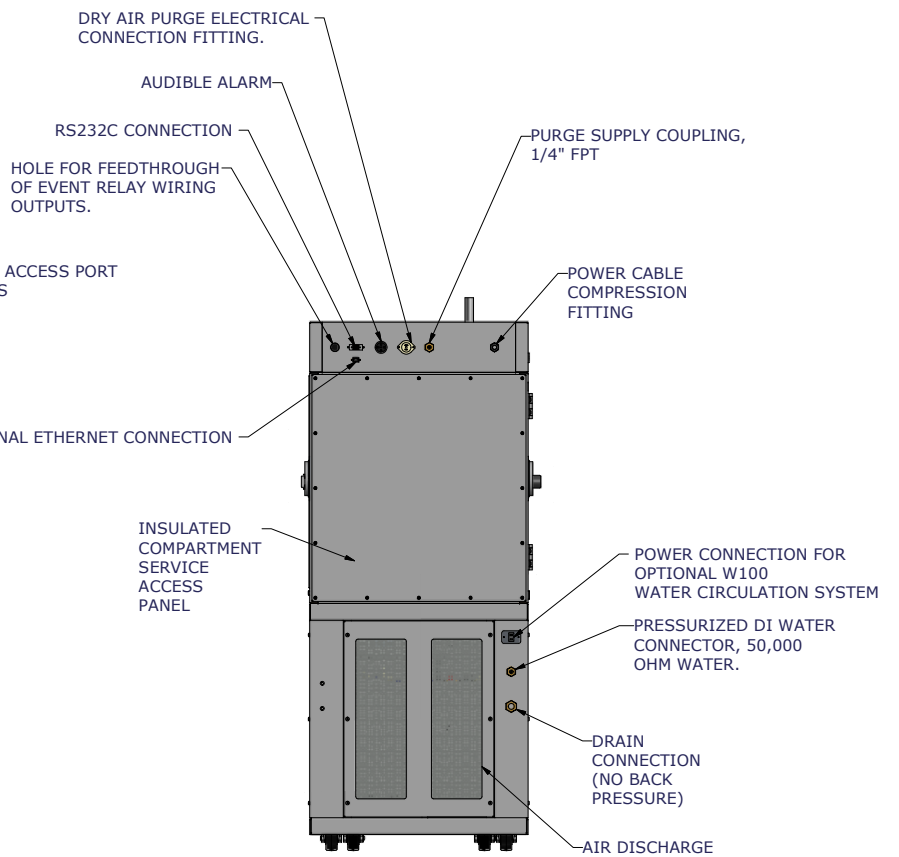
LEFT SIDE VIEW



FRONT VIEW



RIGHT SIDE VIEW



REAR VIEW

TESTEQUITY 123H TEMPERATURE / HUMIDITY CHAMBER GENERAL ASSEMBLY

DATE 5/30/2012	THIS PRINT CONTAINS PROPRIETARY INFORMATION OF TestEquity LLC AND IS ISSUED IN STRICT CONFIDENCE. EXCEPT FOR RIGHTS EXPRESSLY GRANTED BY CONTRACT, THIS DOCUMENT MAY NOT, IN WHOLE OR IN PART, BE DUPLICATED, REPRODUCED, DISCLOSED, OR USED FOR DESIGN OR MANUFACTURING PURPOSES WITHOUT THE DIRECT WRITTEN AUTHORIZATION OF TestEquity LLC.	
TestEquity LLC	6100 CONDOR DRIVE, MOORPARK, CA, 93021 (805) 498-9833 TELEPHONE (805) 375-7324 FAX	ENGINEER John Riddle
TESTEQUITY MODEL NUMBER 123H TEMPERATURE/HUMIDITY CHAMBER	TESTEQUITY DRAWING NUMBER (PIN ASSEMBLY) 382019_rE	DRAWING SIZE D
GENERAL LAYOUT	TESTEQUITY PIN THIS SHEET 382019	SHEET 1 OF 1 REV. E